

C 12



Instruction manual

Page 2 - 7

IMPORTANT: Read and understand all instructions before using.

Guide d'utilisation

Page 8 - 13

IMPORTANT: Lire et comprendre toutes les instructions avant de démarrer les travaux.

Manual de instrucciones

Página 14 - 19

IMPORTANTE: Lea y comprende todas las instrucciones antes de usar.

**Cordless Drill /
Screwdriver**

**Perceuse visseuse á
accumulateur**

**Taladradora-atornilladora
con acumuladores**

GENERAL SAFETY RULES

⚠ WARNING Read and understand all instructions. Failure to follow all instructions listed below may result in electric shock, fire and/or serious personal injury.

SAVE THESE INSTRUCTIONS

1) Work area safety

- a) **Keep work area clean and well lit.** Cluttered and dark areas invite accidents.
- b) **Do not operate power tools in explosive atmospheres, such as in the presence of flammable liquids, gases or dust.** Power tools create sparks which may ignite the dust or fumes.
- c) **Keep children and bystanders away while operating a power tool.** Distractions can cause you to lose control.

2) Electrical safety

- a) **Power tool plugs must match the outlet. Never modify the plug in any way. Do not use any adapter plugs with earthed (grounded) power tools.** Unmodified plugs and matching outlets will reduce risk of electric shock.
- b) **Avoid body contact with earthed or grounded surfaces such as pipes, radiators, ranges and refrigerators.** There is an increased risk of electric shock if your body is earthed or grounded.
- c) **Do not expose power tools to rain or wet conditions.** Water entering a power tool will increase the risk of electric shock.
- d) **Do not abuse the cord. Never use the cord for carrying, pulling or unplugging the power tool. Keep cord away from heat, oil, sharp edges or moving parts.** Damaged or entangled cords increase the risk of electric shock.
- e) **When operating a power tool outdoors, use an extension cord suitable for outdoor use.** Use of a cord suitable for outdoor use reduces the risk of electric shock.
- f) **Hold power tool by insulated gripping surfaces only, when performing an operation where the cutting accessory may contact hidden wiring or its own cord.** Cutting accessory contacting a „live“ wire may make exposed metal parts of the power tool „live“ and shock the operator.

3) Personal safety

- a) **Stay alert, watch what you are doing and use common sense when operating a power tool. Do not use a power tool while you are tired or under the influence of drugs, alcohol or medication.** A moment of inattention while operating power tools may result in serious personal injury.
- b) **Use safety equipment. Always wear eye protection.** Safety equipment such as dust mask, non-skid safety shoes, hard hat, or hearing protection used for appropriate conditions will reduce personal injuries.

c) **Avoid accidental starting. Ensure the switch is in the off position before plugging in.** Carrying power tools with your finger on the switch or plugging in power tools that have the switch on invites accidents.

d) **Remove any adjusting key or wrench before turning the power tool on.** A wrench or a key left attached to a rotating part of the power tool may result in personal injury.

e) **Do not overreach. Keep proper footing and balance at all times.** This enables better control of the power tool in unexpected situations.

f) **Dress properly. Do not wear loose clothing or jewellery. Keep your hair, clothing and gloves away from moving parts.** Loose clothes, jewellery or long hair can be caught in moving parts.

g) **If devices are provided for the connection of dust extraction and collection facilities, ensure these are connected and properly used.** Use of these devices can reduce dust related hazards.

4) Tool use and care

a) **Do not force the power tool. Use the correct power tool for your application.** The correct power tool will do the job better and safer at the rate for which it was designed.

b) **Do not use the power tool if the switch does not turn it on and off.** Any power tool that cannot be controlled with the switch is dangerous and must be repaired.

c) **Disconnect the plug from the power source before making any adjustments, changing accessories, or storing power tools.** Such preventive safety measures reduce the risk of starting the power tool accidentally.

d) **Store idle power tools out of the reach of children and do not allow persons unfamiliar with the power tool or these instructions to operate the power tool.** Power tools are dangerous in the hands of untrained users.

e) **Maintain power tools. Check for misalignment or binding of moving parts, breakage of parts and any other condition that may affect the power tools operation. If damaged, have the power tool repaired before use.** Many accidents are caused by poorly maintained power tools.

f) **Keep cutting tools sharp and clean.** Properly maintained cutting tools with sharp cutting edges are less likely to bind and are easier to control.

g) **Use the power tool, accessories and tool bits etc., in accordance with these instructions and in the manner intended for the particular type of power tool, taking into account the working conditions and the work to be performed.** Use of the power tool for operations different from those intended could result in a hazardous situation.

5) Battery tool use and care

a) Ensure the switch is in the off position before inserting battery pack. Inserting the battery pack into power tools that have the switch on invites accidents.

b) Recharge only with the charger specified by the manufacturer. A charger that is suitable for one type of battery pack may create a risk of fire when used with another battery pack.

c) Use power tools only with specifically designated battery packs. Use of any other battery packs may create a risk of injury and fire.

d) When battery pack is not in use, keep it away from other metal objects like paper clips, coins, keys, nails, screws, or other small metal objects that can make a connection from one terminal to another. Shorting

the battery terminals together may cause burns or a fire.

e) Under abusive conditions, liquid may be ejected from the battery; avoid contact. If contact accidentally occurs, flush with water. If liquid contacts eyes, additionally seek medical help. Liquid ejected from the battery may cause irritation or burns.

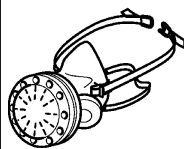
6) Service

a) Have your power tool serviced by a qualified repair person using only identical replacement parts. This will ensure that the safety of the power tool is maintained.

⚠️WARNING To reduce the risk of injury, user must read and understand instruction manual.

⚠️WARNING Various dust created by power sanding, sawing, grinding, drilling and other construction activities contains chemicals known (to the State of California) to cause cancer, birth defects or other reproductive harm. Some examples of these chemicals are:

- lead from lead-based paints,
- crystalline silica from bricks and cement and other masonry products, and
- arsenic and chromium from chemically-treated lumber.



The risk from these exposures varies, depending on how often you do this type of work.

To reduce your exposure to these chemicals: work in a well ventilated area, and work with approved safety equipment, such as dust masks that are specially designed to filter out microscopic particles.

Technical data

Cordless drill/screwdriver

Motor voltage
Idle-running speed: 1. speed / 2. speed
Max torque: soft case / hard case
Adjustable torque: 1. speed / 2. speed
Chuck capacity
Max. drill diameter for metal / wood
Tool fitting in chuck
Weight without battery pack

C 12

12 V
0 - 450 rpm / 0 - 1500 rpm
18 Nm / 30 Nm
2 - 7 Nm / 0.5 - 2.5 Nm
1.5 - 13 mm
14 mm / 25 mm
1/4 "
0.96 kg (2.1 lbs)

Charger

Supply voltage (input) / line frequency
Charging voltage (output)
Charging current
• Quick charge
• Compensation charge, pulsating
Charging time for
• NiCd 1.3 Ah
• NiCd 2.4 Ah
• NiMH 3.0 Ah

LC 45

120 V ~ / 60 Hz
7.2 - 18 V (DC)
max. 3 A
app. 0.06 A
app. 30 min
app. 50 min
app. 70 min

Battery pack

Order number
Voltage
Capacity
Temp. range for charging
Monitoring of charge
Weight

BPS 12 C NiCd

493 348
12 V
1.3 Ah
5 - 45 °C
0.56 kg (1.2 lbs)

BPS 12 S NiCd

492 268
12 V
2.4 Ah
5 - 45 °C
0.73 kg (1.6 lbs)

BPS 12 S NiMH

491 821
12 V
3.0 Ah
5 - 45 °C
0.75 kg (1.7 lbs)

by means of NTC thermistor

Symbols

V	volts
A	amperes
Hz	hertz
W	watt
~	alternating current
n_0	no load speed
□	Class II Construction
rpm	revolutions per minute

Intended use

Cordless drills are suitable for drilling metal, wood, plastics and similar materials, as well as tightening and screwing in screws (into wood, up to a diameter of 6 mm).

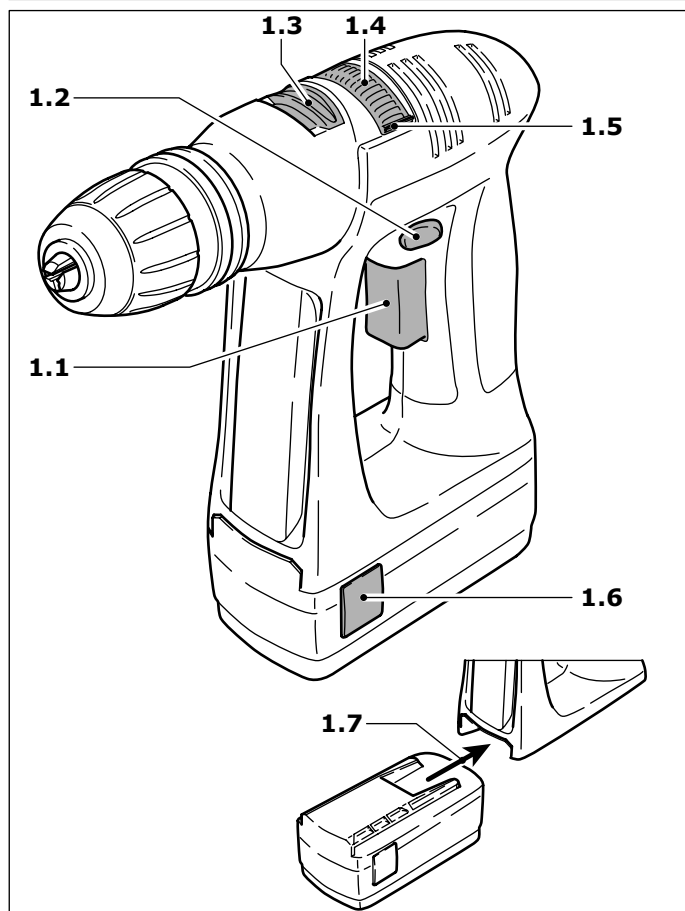
The LC 45 battery charger is designed for recharging the battery pack listed.

⚠WARNING The user will be liable for damage due to improper use.

Wall mounting LC 45

The charger LC 45 has two longitudinal slots on its rear by which it can be suspended on walls using two screws (e.g. button-headed or flat head screw with a shaft diameter of 5 mm). Screw both screws into the wall 96 mm apart until the screwhead is protruding from the wall by approx. 4 mm.

Machine settings



Exchanging the battery pack

- Removing battery pack: Press the two buttons (1.6) and slide the battery pack forwards to remove.

- Inserting battery pack: Slide the battery pack into the holder on the underside of the handle until it latches into place (1.7).

To change the direction of rotation

The selector button (1.2) determines the direction of rotation.

- Turn button from right to left = clockwise rotation.
- Turn button from left to right = anticlockwise rotation.
- Selector button in central position = circuit interlock.

Shifting speeds

⚠CAUTION Change only when completely stopped!

Using the shift lever (1.3), the speed can be changed.

- 1. Speed: Lever forward - Figure 1 is visible.
- 2. Speed: Lever backwards - Figure 2 is visible.

Torque adjustment

By turning the adjustment ring (1.4) the required torque can be adjusted. The arrow (1.5) aligns with the adjusted state.

Drilling:

Drilling symbol on adjustment ring aligns with the arrow = maximum torque.

Screwing:

Torque corresponding to setting:

- Position 1 = low torque
- Position 20 = high torque

Operation

Turn on by pressing button (1.1). Depending on the pressure exerted on the button, the adjustment of running speed can be varied infinitely.

Turn off by releasing the button (1.1). After releasing the button, the chuck is stopped and therefore, after-running of the equipment is prevented.

Warning signal

With the following operational statuses, the machine sounds an acoustic warning signal and switches off:

Peep at regular intervals

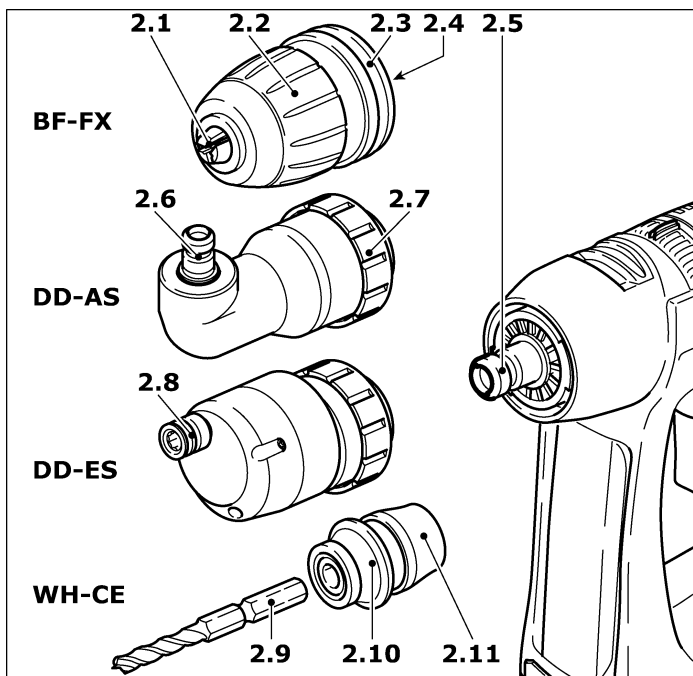
- Battery empty

Triple peep at regular intervals

- Excessive load (torque)
- Machine too warm.

Tool holding fixture, attachments

⚠WARNING Make sure that the machine is switched off and the battery block has been removed before changing the tool holding fixture, attachments and tools.



Chuck BF-FX

The chuck is used to clamp drills and bits.

Fitting:

- Place the chuck on the drill spindle (2.5) and twist until the hexagon key (2.4) of the chuck latches into the hexagon socket of the drill spindle.
- Pull the unlocking ring (2.3) forwards, press the chuck onto the drill spindle up to the stop and release the unlocking ring.

Removal:

- Pull the unlocking ring forwards and remove the chuck.

Changing tools:

- Turn the clamping sleeve (2.2) anti-clockwise to open the clamping jaws (2.1)
(Note: the spindle is automatically locked when the machine is switched off).
- Insert the tool into the chuck.
- Clamp the tool by turning the clamping sleeve clockwise. Always make sure that the tool is clamped centrally in the chuck.

Angle attachment DD-AS

The angle attachment permits work (drilling, screwing) vertical to the machine's longitudinal axis.

Fitting:

- Place the angle attachment on the drill spindle and turn until it catches in the desired position
(Note: The angle attachment can be fitted in 16 different angle settings).
- Lock the angle attachment by turning the fastening ring (2.7) tightly clockwise.

Removal:

- Turn the fastening ring anti-clockwise up to the stop and remove the angle attachment.

Fitting / removal of chuck on angle attachment:

The chuck is fitted on the shaft (2.6) of the angle attachment in the same way as on the drill spindle of the machine.

Eccentric attachment DD-ES

The eccentric attachment is used to hold bits. It allows screwing close to edges.

Fitting / removing the eccentric attachment:

The eccentric attachment is fitted / removed in the same way as the angle attachment (see DD-AS).

Changing tools:

Pull the unlocking ring (2.8) back and remove the tool and/or insert the new tool.

CENTROTEC WH-CE toolholder

The CENTROTEC toolholder enables rapid changes of tools with CENTROTEC shafts.

!WARNING Danger of injury! When changing tools, handle the tool and its sharp cutters with special care and wear protective gloves, if necessary.

!CAUTION Do not fit CENTROTEC tools at the round shaft section in a conventional chuck to prevent damage to the shaft.

Fitting

- Pull the release ring (2.11) forwards, place the toolholder as far as it will go on the drill spindle (2.5) and let go of the release ring.

Removal

- Pull the release ring forwards and take off the toolholder.

Changing tools

- To insert or remove a tool with CENTROTEC shaft, pull the green release ring (2.10) back. On inserting the tool, turn it until its hex shank arbour (2.9) locks in place in the hexagonal shank of the drill spindle, and push the tool into the toolholder as far as it will go.

Tool holding fixture in the drill spindle

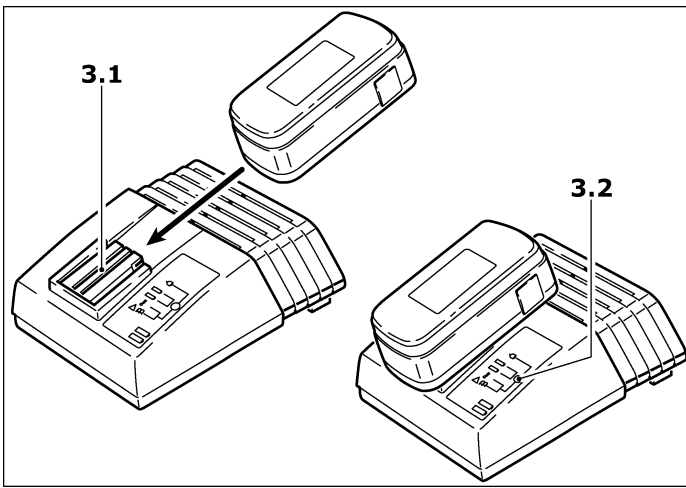
Bits can be fitted directly in the hexagon socket holder of the drill spindle (2.5) to make the machine lighter and shorter.

Charge battery pack

To load the battery pack, push it into the holder (3.1) on the charger up to the stop. Perform this in reverse to remove the battery pack from the charger.

The battery type used (NiCd or NiMH) is detected automatically. Charging is controlled by a micro-processor.

If a warm NiMH battery pack (>37° C) is inserted, charging will only be carried out at a lower charge current. In this case, the charging time is extended.



The LED (3.2) indicates the respective charging state of the charger.

LED yellow – steady:

charger is ready for use.

LED green – flashing:

battery pack being charged.

LED green – steady:

battery pack fully charged, conservation charge on.

LED red – flashing:

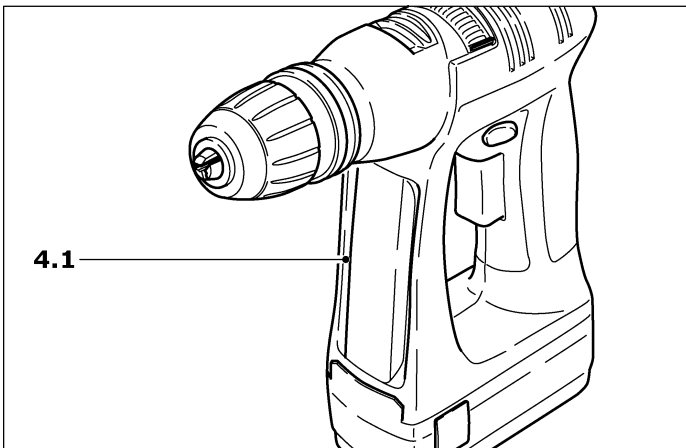
general malfunction, e. g. full contact not being made, short-circuit, battery pack faulty.

LED red – steady:

temperature of battery pack is outside permissible limit.

⚠WARNING It is essential that you read the instructions in the Chapter „Maintenance - Care“.

Bit storage well



You can insert several bits or bit extensions into the bit magazine (4.1) with magnetic holder.

Maintenance and care

⚠CAUTION Pay attention to the following instructions. Otherwise there is a risk of damage to the tool, charger or battery pack.

- Repairs may only be performed by authorised technicians. LC 45 charging device: Even after disconnection from the mains, there is still a high capacitor voltage on the power output component on the inside of the device.

- Keep the air vents of the electronic equipment and the charger clean to guarantee the air circulation for cooling.
- No metal objects (metal chips) should enter the charger at the contact points as well as through the cooling slits into the equipment (danger of short circuit).
- Only use original Festool battery packs. Do not use spent and recycled battery packs. The user shall be liable for damages if Festool original battery packs are not used.
- Keep the connection contacts of electronic equipment, charger and battery pack clean.
- By keeping the battery pack in a ready for use charger, the battery pack will be kept in a state of readiness by float charging conservation.
- Do not keep discharged battery pack (maximum one month) attached to charger whenever charger is detached from the power supply (danger of deep discharging).
- A new battery pack or a battery pack not used for a longer period of time reaches its full capacity after about 5 charging and discharging cycles.
- Battery packs should, before charging, be fully discharged if possible. Continuous starting of the charging process shortens the lifespan of the batteries.
- A considerably reduced time of operation per charging shows that the battery pack is used up and should be replaced by a new one.
- NiCd battery packs that are not used for longer periods should be stored in a discharged state.

Special instructions for NiMH battery packs:

- The output of NiMH battery packs drops noticeably at ambient temperatures below 0° C or above 45° C.
- Do not overload the tool (do not load the tool excessively so that it comes to a standstill).
- Even if NiMH battery packs are not used, recharge them approx. every 4 months so that they retain their full capacity.
- NiMH battery packs should be left for 60 min. in the charger after every 10th fast charge to compensate any differences in capacity between the cells.
- Because NiMH battery packs discharge automatically, store them preferably at ambient temperatures of between 0° C and 25° C.

Recycling battery packs

Never throw spent battery packs into domestic waste containers! Return spent or defective battery packs to dealers, the Festool after-sales service department or approved waste disposal facilities. This ensures that they are correctly recycled.

Accessories, tools

⚠ WARNING For safety reasons, only use original Festool accessories and tools!

The accessory and tool order number can be found in your Festool catalog or on the Internet at **www.festool-usa.com**.

Warranty

Conditions of 1+2 Warranty

You are entitled to a free extended warranty (1 year + 2 years = 3 years) for your Festool power tool. Festool shall be responsible for all shipping costs during the first year of the warranty. During the second and third year of the warranty the customer is responsible for shipping the tool to Festool. Festool will pay for return shipping to the customer using UPS Ground Service. All warranty service is valid 3 years from the date of purchase on your receipt or invoice.

Festool Limited Warranty

This warranty is valid on the pre-condition that the tool is used and operated in compliance with the Festool operating instructions. Festool warrants, only to the original consumer purchaser, that the specified tool will be free from defects in materials and workmanship for a term of one year from the date of procurement. Festool makes no other warranty, express or implied, for Festool portable power tools. No agent, representative, distributor, dealer or employee of Festool has the authority to increase or otherwise change the obligations or limitations of this warranty. The obligations of Festool in its sole discretion under this warranty shall be limited to the repair or replacement of any Festool portable power tool that is found to be defective as packaged with the User Manual.

Excluded from coverage under this warranty are: normal wear and tear; damages caused by misuse, abuse or neglect; damage caused by anything other than defects in material and workmanship. This warranty does not apply to accessory items such as circular saw blades, drill bits, router bits, jigsaw blades, sanding belts, and grinding wheels. Also excluded are "wearing parts", such as carbon brushes, lamellas of air tools, rubber collars and seals, sanding discs and pads, and batteries.

Festool portable power tools requiring replacement or repair are to be returned with the receipt of purchase to Festool (call 800-554-8741 for address details).

IN NO EVENT SHALL FESTOOL BE LIABLE FOR ANY CONSEQUENTIAL OR INCIDENTAL DAMAGES FOR BREACH OF THIS OR ANY OTHER WARRANTY, EXPRESSED OR IMPLIED WHATSOEVER. ALL WARRANTIES IMPLIED BY STATE LAW, INCLUDING THE IMPLIED WARRANTIES OF MERCHANTABILITY AND FITNESS FOR A PARTICULAR PURPOSE, ARE HEREBY LIMITED TO THE DURATION OF THREE YEARS.

Some states in the U.S. and some Canadian provinces do not allow the limitations on how long an implied warranty lasts, so the above limitation may not apply to you. With the exception of any warranties implied by state or province law as hereby limited, the foregoing express limited warranty is exclusive and in lieu of all other warranties, guarantees, agreements and similar obligations of Festool.

This warranty gives you specific legal rights and you may also have other rights which vary from state to state in the U.S. and province to province in Canada.

RÈGLES DE SÉCURITÉ GÉNÉRALES

⚠ AVERTISSEMENT Assurez-vous de lire et de bien comprendre toutes les instructions. Le non-respect, même partiel, des instructions ci-dessous peut entraîner un risque de choc électrique, d'incendie et/ou de blessures graves.

CONSERVEZ CES INSTRUCTIONS

1) Sécurité de aire de travail

a) Maintenez l'endroit de travail propre et bien éclairé. Un lieu de travail en désordre ou mal éclairé augmente le risque d'accidents.

b) N'utilisez pas l'appareil dans un environnement présentant des risques d'explosion et où se trouvent des liquides, des gaz ou poussières inflammables. Les outils électroportatifs génèrent des étincelles risquant d'enflammer les poussières ou les vapeurs.

c) Tenez les enfants et autres personnes éloignés durant l'utilisation de l'outil électroportatif. En cas d'inattention vous risquez de perdre le contrôle sur l'appareil.

2) Sécurité électrique

a) La fiche de secteur de l'outil électroportatif doit être appropriée à la prise de courant. Ne modifiez en aucun cas la fiche. N'utilisez pas de fiches d'adaptateur avec des appareils avec mise à la terre. Les fiches non modifiées et les prises de courant appropriées réduisent le risque de choc électrique.

b) Evitez le contact physique avec des surfaces mises à la terre tels que tuyaux, radiateurs, fours et réfrigérateurs. Il y a un risque élevé de choc électrique au cas où votre corps serait relié à la terre.

c) N'exposez pas l'outil électroportatif à la pluie ou à l'humidité. La pénétration d'eau dans un outil électroportatif augmente le risque d'un choc électrique.

d) N'utilisez pas le câble à d'autres fins que celles prévues, n'utilisez pas le câble pour porter l'appareil ou pour l'accrocher ou encore pour le débrancher de la prise de courant. Maintenez le câble éloigné des sources de chaleur, des parties grasses, des bords tranchants ou des parties de l'appareil en rotation. Un câble endommagé ou torsadé augmente le risque d'un choc électrique.

e) Au cas où vous utiliseriez l'outil électroportatif à l'extérieur, utilisez une rallonge autorisée homologuée pour les applications extérieures. L'utilisation d'une rallonge électrique homologuée pour les applications extérieures réduit le risque d'un choc électrique.

f) Ne tenez l'outil qu'à l'aide des poignées isolées, lorsque vous êtes susceptibles de toucher des lignes électriques cachées ou votre propre câble électrique, lorsque vous travaillez avec des outils de tronçonnage. Si des outils de tronçonnage touchent des lignes électriques, des pièces métalliques de l'outil peuvent

être mises sous tension et asséner une décharge électrique à l'utilisateur.

3) Sécurité des personnes

a) Restez vigilant, surveillez ce que vous faites. Faites preuve de bon en utilisant l'outil électroportatif. N'utilisez pas l'appareil lorsque vous êtes fatigué ou après avoir consommé de l'alcool, des drogues ou avoir pris des médicaments. Un moment d'inattention lors de l'utilisation de l'appareil peut entraîner de graves blessures sur les personnes.

b) Portez des équipements de protection. Portez toujours des lunettes de protection. Le fait de porter des équipements de protection personnels tels que masque anti-poussières, chaussures de sécurité antidérapantes, casque de protection ou protection acoustique suivant le travail à effectuer, réduit le risque de blessures.

c) Evitez une mise en service par mégarde. Assurez-vous que l'interrupteur est effectivement en position d'arrêt avant de retirer la fiche de la prise de courant. Le fait de porter l'appareil avec le doigt sur l'interrupteur ou de brancher l'appareil sur la source de courant lorsque l'interrupteur est en position de fonctionnement, peut entraîner des accidents.

d) Enlevez tout outil de réglage ou toute clé avant de mettre l'appareil en fonctionnement. Une clé ou un outil se trouvant sur une partie en rotation peut causer des blessures.

e) Ne surestimez pas vos capacités. Veillez à garder toujours une position stable et équilibrée. Ceci vous permet de mieux contrôler l'appareil dans des situations inattendues.

f) Portez des vêtements appropriés. Ne portez pas de vêtements amples ni de bijoux. Maintenez cheveux, vêtements et gants éloignés des parties de l'appareil en rotation. Des vêtements amples, des bijoux ou des cheveux longs peuvent être happés par des pièces en mouvement.

g) Si des dispositifs servant à aspirer ou à recueillir les poussières doivent être utilisés, vérifiez que ceux-ci soient effectivement raccordés et qu'ils sont correctement utilisés. L'utilisation de tels dispositifs réduit les dangers dus aux poussières.

4) Utilisation et entretien des outils

a) Ne surchargez pas l'appareil. Utilisez l'outil électroportatif approprié au travail à effectuer. Avec l'outil électroportatif approprié, vous travaillerez mieux et avec plus de sécurité à la vitesse pour laquelle il est prévu.

b) N'utilisez pas un outil électroportatif dont l'interrupteur est défectueux. Un outil électroportatif qui ne peut plus être mis en ou hors fonctionnement est dangereux et doit être réparé.

c) Retirer la fiche de la prise de courant avant d'effectuer des réglages sur l'appareil, de changer les accessoires, ou de ranger l'appareil. Cette mesure de précaution empêche une mise en fonctionnement par mégarde.

d) Gardez les outils électroportatifs non utilisés hors de portée des enfants. Ne permettez pas l'utilisation de l'appareil à des personnes qui ne se sont pas familiarisées avec celui-ci ou qui n'ont pas lu ces instructions. Les outils électroportatifs sont dangereux lorsqu'ils sont utilisés par des personnes non initiées.

e) Prenez soin des outils électroportatifs. Vérifiez que les parties en mouvement fonctionnent correctement et qu'elles ne soient pas coincées, et contrôlez si des parties sont cassées ou endommagées de telle sorte que le bon fonctionnement de l'appareil s'en trouve entravé. Faites réparer les parties endommagées avant d'utiliser l'appareil. De nombreux accidents sont dus à des outils électroportatifs mal entretenus.

f) Maintenez les outils de coupe aiguisés et propres. Des outils soigneusement entretenus avec des bords tranchants bien aiguisés se coincent moins souvent et peuvent être guidés plus facilement.

g) Utilisez les outils électroportatifs, les accessoires, les outils à monter etc. conformément à ces instructions et aux prescriptions en vigueur pour ce type d'appareil. Tenez compte également des conditions de travail et du travail à effectuer. L'utilisation des outils électroportatifs à d'autres fins que celles prévues peut entraîner des situations dangereuses.

5) Utilisation et emploi soigneux des appareils sans fil

a) Vérifiez que l'appareil est effectivement en position d'arrêt avant de monter l'accumulateur. Le fait de monter un accumulateur dans un outil électroportatif en position de fonctionnement peut causer des accidents.

b) Ne chargez les accumulateurs que dans des chargeurs recommandés par le fabricant. Un chargeur approprié à un type spécifique d'accumulateur peut engendrer un risque d'incendie lorsqu'il est utilisé avec d'autres accumulateurs.

c) Dans les outils électroportatifs, n'utilisez que les accumulateurs spécialement prévus pour celui-ci. L'utilisation de tout autre accumulateur peut entraîner des blessures et des risques d'incendie.

d) Tenez l'accumulateur non-utilisé à l'écart de toutes sortes d'objets métalliques tels qu'agrafes, pièces de monnaie, clés, clous, vis ou autres, étant donné qu'un pontage peut provoquer un court-circuit. Un court-circuit entre les contacts d'accu peut provoquer des brûlures ou un incendie.

e) En cas d'utilisation abusive, du liquide peut sortir de l'accumulateur. Évitez tout contact avec ce liquide. En cas de contact par mégarde, rincez soigneusement avec de l'eau. Au cas où le liquide rentrerait dans les yeux, consultez en plus un médecin. Le liquide qui sort de l'accumulateur peut entraîner des irritations de la peau ou causer des brûlures.

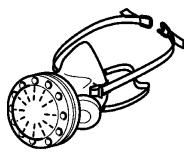
6) Entretien et réparation

a) Ne faites réparer votre outil électroportatif que par un personnel qualifié et seulement avec des pièces de rechange d'origine. Ceci permet d'assurer la sécurité de l'appareil.

⚠️ AVERTISSEMENT Pour réduire le risque de dommages, l'utilisateur doit lire et comprendre le manuel d'instruction.

⚠️ AVERTISSEMENT Certaines poussières créées par le ponçage mécanique, le sciage, le meulage, le perçage et autres activités reliées à la construction contiennent des substances chimiques connues (dans l'État de la Californie) comme pouvant causer le cancer, des anomalies congénitales ou représenter d'autres dangers pour la reproduction. Voici quelques exemples de telles substances:

- plomb provenant de peintures à base de plomb,
- silice cristallisée utilisée dans les briques, le ciment et autres matériaux de maçonnerie, et
- arsenic et chrome du bois d'œuvre traité avec un produit chimique.



Le risque d'exposition à de tels produits varie selon la fréquence à laquelle vous faites ce genre de travail. Pour réduire les risques d'exposition à ces substances chimiques: travaillez dans un endroit adéquatement ventilé et utilisez un équipement de sécurité approuvé, tel que masques antipoussières spécialement conçus pour filtrer les particules microscopiques.

Caractéristiques techniques

Perceuse-visseuse

Tension du moteur

Vitesse à vide: 1 ère vitesse / 2 ème vitess

Couple max.: vissage faciles / vissage difficiles

Réglage de couple: 1 ère vitesse / 2 ème vites

Capacité mandrin

Maxi capacité de perçage, métal / bois

Fixation de la broche

Poids sans accumulateur

C 12

12 V

0 - 450 tr/min / 0 - 1500 tr/min

18 Nm / 30 Nm

2 - 7 Nm / 0.5 - 2.5 Nm

1.5 - 13 mm

14 mm / 25 mm

1/4 "

0.96 kg (2.1 lbs)

Chargeur

Tension / fréquence secteur (entrée)

Tension de charge (sortie)

Courant de charge: • Charge rapide

- Charge de maintien à impulsions

Durée de charge pour: • NiCd 1.3 Ah

- NiCd 2.4 Ah

- NiMH 3.0 Ah

LC 45

120 V ~ / 60 Hz

7.2 - 18 V (DC)

3 A max.

0.06 A env.

30 min env.

50 min env.

70 min env.

Accumulateur

Référence

Tension

Capacité

Plage de temp. de charge

Contrôle d'état de charge

Poids

BPS 12 C NiCd

493 348

12 V

1.3 Ah

5 - 45 °C

0.56 kg (1.2 lbs)

BPS 12 S NiCd

492 268

12 V

2.4 Ah

5 - 45 °C

via résistance NTC

0.73 kg (1.6 lbs)

BPS 12 S NiMH

491 821

12 V

3.0 Ah

5 - 45 °C

0.75 kg (1.7 lbs)

Symbole

V Volt

A Ampère

Hz Hertz

W Watt

~ Tension alternative

n_0 Vitesse de rotation à vide

☐ Classe II conception

tr/min tours par minute

Utilisation prévue

La perceuse-visseuse sans fil est adaptée au perçage du métal, du bois, des plastiques et matériaux similaires, ainsi qu'au vissage (vis jusqu'à un diamètre de 6 mm dans le bois).

Le chargeur LC 45 convient au chargement de la batterie utilisée.

⚠ AVERTISSEMENT Seul l'utilisateur est tenu responsable des dommages qui résulteraient d'une utilisation non conforme aux prescriptions.

Fixation au mur LC 45

Le chargeur LC 45 dispose sur son dos de deux trous oblongs par l'intermédiaire desquels il peut être fixé au mur par deux vis (par ex. vis à tête conique ou ronde avec un diamètre de la partie lisse de la tige de 5 mm). Vissez les deux vis en respectant un intervalle de 96 mm au mur, de manière à ce qu'il reste encore un espace de 4 mm entre la tête de vis et le mur.

Réglages de la machine

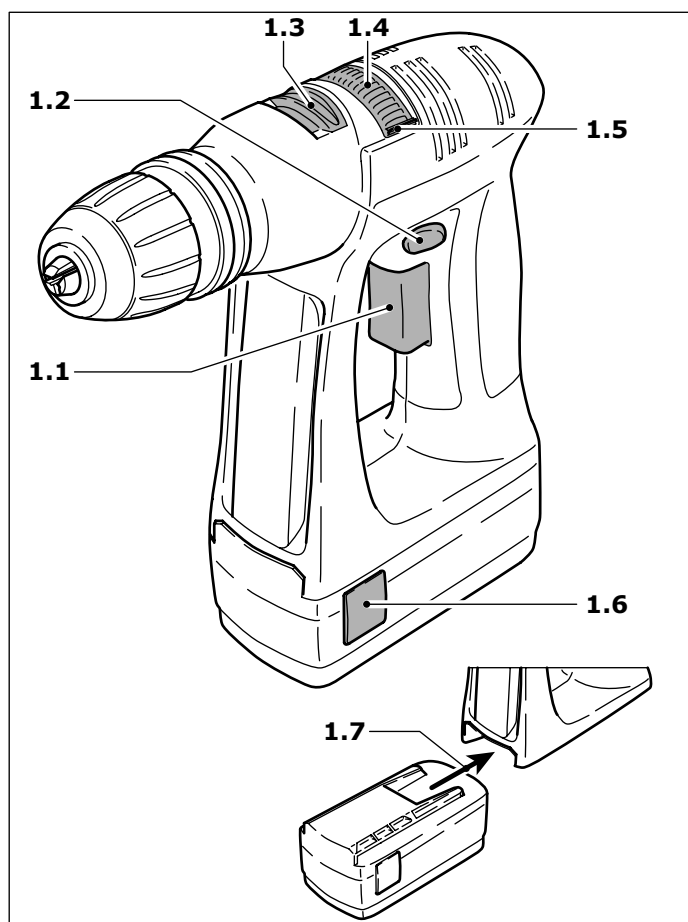
Remplacer la batterie

- Retrait de la batterie : appuyez sur les deux touches (1.6), et enlevez la batterie en la tirant vers l'avant.
- Installation de la batterie : enfoncez la batterie dans le logement par le dessous de la poignée jusqu'à ce qu'elle soit bien enclenchée (1.7).

Commutation du sens de rotation

Le bouton de commutation (1.2) sert à déterminer le sens de rotation.

- Bouton poussé de droite vers la gauche = marche à droite.
- Bouton poussé de gauche vers la droite = marche à gauche.
- Bouton en position centrale = verrouillage de mise en marche.



Commutation de l'engrenage

⚠ MISE EN GARDE Procéder à la commutation uniquement à l'arrêt ou en fin de roulement!

Le curseur de commutation (1.3) permet de commuter l'engrenage.

- 1ère vitesse: Curseur de commutation vers l'avant - le chiffre 1 est visible.
- 2ème vitesse: Curseur de commutation vers l'arrière - le chiffre 2 est visible.

Réglage du couple de rotation

Il est possible de faire varier le couple de rotation en tournant la bague de réglage (1.4). La flèche apposée (1.5) indiquera l'état réglé.

Perçage

Couple de rotation maximal - la flèche est pointée sur le symbole de perçage

Vissage

Couple de rotation en fonction du réglage:

- Position sur 1 = couple de rotation réduit
- Position sur 20 = couple de rotation élevé

Utilisation

Mise en marche en appuyant sur la touche de commutation (1.1). La vitesse de rotation peut être progressive-ment réglée, en fonction du mode de pression sur la touche de commutation.

Mise à l'arrêt en relâchant la touche de commutation (1.1). Une fois que la touche de commutation est relâchée, la broche de travail (mandrin) est freinée, ce qui empêche ainsi une poursuite de rotation par inertie de l'outil.

Signal d'alerte

Dans les situations de fonctionnement suivantes, la machine émet un signal d'alerte et s'arrête :

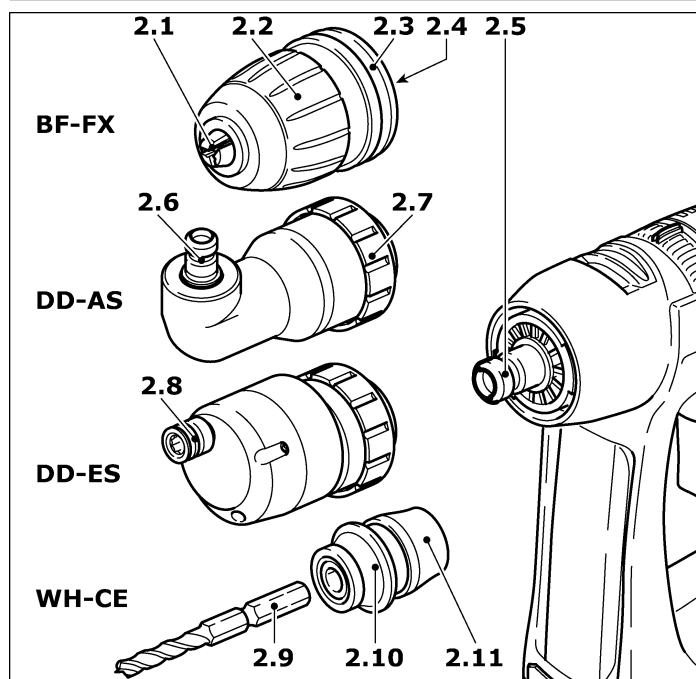
Bip sonore intermittent

- Batterie déchargée

3 bips sonores intermittents

- Charge (couple) trop importante
- Machine trop chaude.

Porte-outil, groupes d'appui



AVERTISSEMENT A chaque remplacement du porte-outil, du groupe d'appui et de l'outil, assurez-vous que la machine est convenablement inactivée et que l'accumulateur est enlevé.

Mandrin de perceuse BF-FX

Le mandrin de perceuse sert à serrer les forets et les embouts.

Montage :

- Placez le mandrin de perceuse sur l'axe (2.5) puis tournez-le jusqu'à ce que le six pans (2.4) du mandrin de perceuse s'enclenche dans le logement de l'axe.
- Tirez la bague de déverrouillage (2.3) vers l'avant, enfoncez le mandrin de perceuse jusqu'à la butée sur l'axe puis relâchez la bague de déverrouillage.

Démontage :

- Tirez la bague de déverrouillage vers l'avant puis enlevez le mandrin de perceuse.

Changement d'outil :

- Tournez la douille de serrage (2.2) dans le sens contraire des aiguilles d'une montre pour ouvrir les mâchoires de serrage (2.1) (Remarque : A machine inactivée, l'axe est automatiquement verrouillé).
- Placez l'outil dans le mandrin de perceuse.
- Serrez l'outil à fond en tournant la douille de serrage dans le sens des aiguilles d'une montre. Ce faisant, veillez toujours à ce que l'outil soit serré au centre du mandrin.

Appui angulaire DD-AS

L'appui angulaire permet de travailler (percer, visser) à la verticale par rapport à l'axe longitudinal de la machine.

Montage :

- Placez l'appui angulaire sur l'axe et tournez-le jusqu'à ce qu'il s'enclenche dans la position souhaitée (Remarque : L'appui angulaire peut s'enclencher dans 16 positions angulaires différentes).
- Verrouillez l'appui angulaire en tournant fermement la bague de fixation (2.7) dans le sens des aiguilles d'une montre.

Démontage :

- Tournez la bague de fixation dans le sens contraire des aiguilles d'une montre jusqu'à la butée puis enlevez l'appui angulaire.

Montage / démontage du mandrin de perceuse sur l'appui angulaire :

Le mandrin de perceuse doit être fixé de la même manière sur l'arbre (2.6) de l'appui angulaire que sur l'axe de la machine.

Appui excentrique DD-ES

L'appui excentrique sert à la réception d'embouts. Il permet de visser à proximité du bord.

Montage / démontage de l'appui excentrique :

Le montage / démontage de l'appui excentrique s'opère de la même manière que pour l'appui angulaire (cf. DD-AS).

Changement d'outil

- Tirez la bague de déverrouillage (2.8) vers l'arrière puis enlevez l'outil ou resp. mettez un outil en place.

Porte-outil CENTROTEC-WH-CE

Le porte-outil CENTROTEC permet un changement rapide d'outils avec arbre CENTROTEC.

⚠️ AVERTISSEMENT Risque de blessure ! Manipulez très prudemment l'outil aux arêtes tranchantes lorsque vous procédez à un échange d'outil, portez éventuellement des gants de protection.

⚠️ MISE EN GARDE Ne serrez pas les outils CENTROTEC au niveau du manche dans un mandrin de serrage traditionnel pour ne pas endommager le manche.

Montage

- Tirez la bague de déverrouillage (2.11) vers l'avant, enfoncez le porte-outil jusqu'en butée sur l'axe (2.5) puis relâchez la bague de déverrouillage.

Démontage

- Tirez la bague de déverrouillage vers l'avant et enlevez le porte-outil.

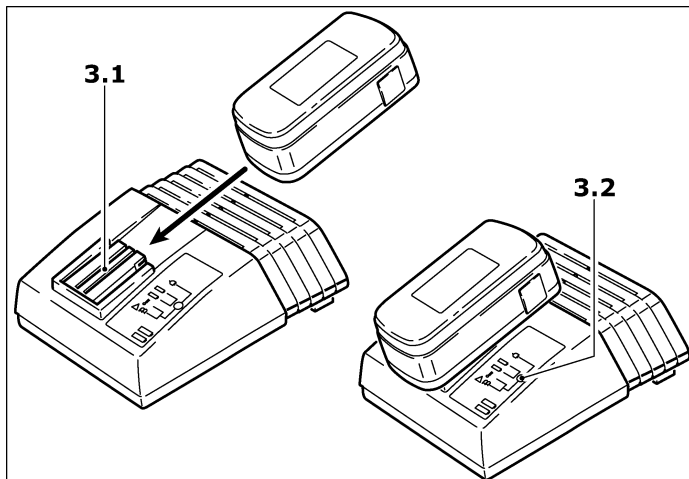
Changement d'outillage

- Pour placer ou enlever un outil avec arbre CENTROTEC, retirez sur la bague de déverrouillage verte (2.10). Pour mettre un outil en place, tournez jusqu'à ce que son arbre hexagonal (2.9) s'engage dans le logement hexagonal de l'axe et poussez l'outil à fond dans le porte-outil.

Porte-outil sur l'axe

Afin que la machine devienne plus légère et plus courte, les embouts peuvent être mis en place directement dans le logement six pans de l'axe (2.5).

Charger l'accumulateur



Pour le chargement, vous devez pousser la batterie dans le logement (3.1) du chargeur jusqu'à la butée. A l'inverse, il est possible de retirer la batterie chargée du chargeur.

Le type d'accumulateur utilisé (NiCd ou NiMH) est identifié automatiquement. La procédure de charge est contrôlée par microprocesseur.

Si vous utilisez un pack d'accumulateurs NiMH chaud (>37°C), il sera seulement chargé avec un courant de charge réduit. Dans ce cas, le temps de charge sera prolongé.

La DEL (3.2) indique à chaque fois l'état de service du chargeur.

DEL jaune - éclairage continu:

le chargeur est prêt à fonctionner.

DEL verte - éclairage clignotant:

L'accumulateur est en train d'être chargé.

DEL verte - éclairage continu:

L'accumulateur est chargé; la charge de maintien est active.

DEL rouge - éclairage clignotant:

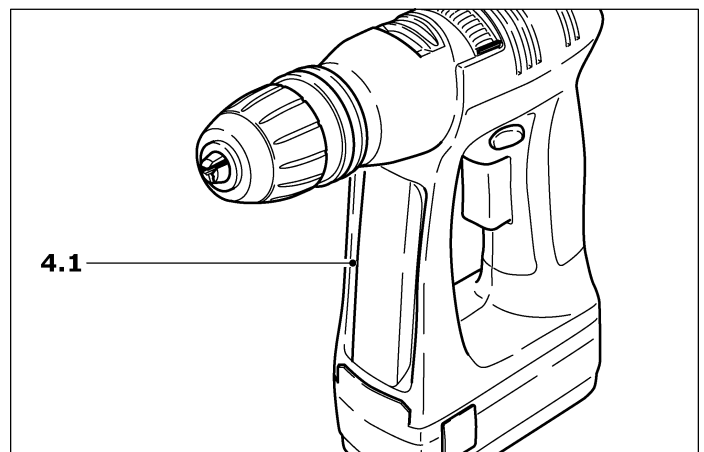
indication d'erreur générale, par exemple pas de mise en contact complète, court-circuit, défaut de l'accumulateur

DEL rouge - éclairage continu:

température de l'accumulateur au-delà des valeurs limites admissibles.

⚠️ AVERTISSEMENT Nous vous recommandons de respecter les instructions décrites dans le chapitre intitulé „Entretien - Maintenance“.

Bit-Depot



Les porte-embouts (4.1) à support magnétique peuvent accueillir plusieurs embouts ou prolongateurs.

Entretien - Maintenance

⚠️ MISE EN GARDE Il est indispensable d'observer les consignes suivantes, sinon, la machine, le chargeur ou l'accumulateur risque d'être endommagé(e).

- Les réparations doivent être uniquement réalisées par un spécialiste. Dans le chargeur LC 45, la tension au condensateur à l'intérieur de l'appareil reste élevée même après le débranchement du réseau.
- Veiller à ce que les ouvertures d'aération sur l'outil électrique et sur le chargeur soient toujours propres afin que la circulation de l'air de refroidissement soit assurée.
- Sur le chargeur, aucune pièce métallique (copeaux métalliques) ne doit pénétrer dans les compartiments de réception des accumulateurs et par les fentes d'aération (risque de court-circuit).
- N'utiliser que des accumulateurs d'origine Festool et ne pas utiliser non plus d'accumulateurs usagés ou remis en état. En effet, seul l'utilisateur sera tenu responsable en cas d'apparition

de dommages résultant d'une violation de cette prescription.

- Veiller à ce que les contacts de raccordement sur l'outil électrique, sur le chargeur et sur l'accu-mulateur soient toujours propres.
- En laissant l'accumulateur dans le chargeur prêt à fonctionner, l'accumulateur est conservé en état chargé grâce à un chargement de maintien permanent.
- Ne pas laisser les accumulateurs vides enfichés pendant plus d'un mois env. dans le chargeur lorsque le chargeur est coupé du secteur (risque de décharge profonde).
- Un accumulateur neuf ou n'ayant pas été utilisé pendant une longue période n'atteint sa pleine capacité qu'au bout de 5 cycles de charge et de décharge environ.
- Il faudrait, dans la mesure du possible, que les accumulateurs soient entièrement déchargés avant d'être rechargés. En effet, un démarrage réitéré de l'opération de charge d'accumulateurs chargés diminue leur durée de vie.
- Une durée de fonctionnement considérablement plus réduite à la suite de chaque recharge indique que l'accumulateur est usé et qu'il doit par conséquent être remplacé par un neuf.
- Les batteries NiCd, qui ne sont pas utilisées pendant une période plus longue, doivent être rangées dans leur état déchargé.

Consignes particulières concernant les accumulateurs NiMH :

- En présence de températures ambiantes inférieures à 0° C ou supérieures à 45° C, la puissance des accumulateurs NiMH diminue nettement.
- Ne pas surcharger la machine (ne pas solliciter la machine à un tel point qu'elle s'immobilise).
- Chargez les batteries NiMH environ tous les 4 mois, même en cas de non-utilisation, afin d'exploiter au mieux toute leur capacité.
- Après chaque 10ème cycle de charge, les packs d'accumulateurs NiMH doivent rester 60 min supplémentaires dans le chargeur après la charge rapide, afin de compenser d'éventuelles différences de capacité entre les éléments.
- Rangez de préférence les batteries NiMH, suite à leur déchargement, à des températures ambiantes comprises entre 0° C et 25° C.

Recyclage des accumulateurs

Ne pas jeter les accumulateurs usagés dans les ordures ménagères. Les accumulateurs usagés ou défectueux doivent être rendus aux revendeurs, au service après-vente Festool ou aux installations d'élimination publiques prescrites. Les accumulateurs seront ainsi soumis à un recyclage approprié.

Accessoires, outils

⚠ AVERTISSEMENT Pour des raisons de sécurité, il faut utiliser exclusivement des accessoires et outils d'origine Festool!

Les références des accessoires et outils figurent dans le catalogue Festool ou sur Internet sous www.festool-usa.com.

Garantie

Conditions de la garantie (1+2 ans)

Vous avez droit à une prolongation de garantie gratuite (1 an + 2 ans = 3 ans) sur votre outil électrique Festool. Festool assumera tous les coûts d'expédition pendant la première année de la garantie alors que les deuxième et troisième années, les coûts devront être assumés par le client. Festool paiera les frais de retour de l'outil au client par service de livraison terrestre UPS. La garantie est valable pour une période de 3 ans à compter de la date d'achat indiquée sur votre reçu ou votre facture.

Garantie limitée de Festool

Cette garantie est valable à condition que l'outil soit utilisé conformément aux instructions de Festool. Festool garantit, à l'acheteur initial seulement, que l'outil indiqué sera exempt de tout défaut de matériau et de fabrication pendant un an à compter de la date d'achat. Festool ne donne aucune garantie supplémentaire, implicite ou explicite, sur les instruments portables électriques Festool. Aucun agent, représentant commercial, distributeur, vendeur ou employé de Festool n'est autorisé à prolonger ou à modifier les obligations ou restrictions de la présente garantie. Les obligations de Festool sont, à son entière discrétion, limitées à la réparation ou à l'échange des outils portables électriques Festool trouvés défectueux dans le présent emballage, tels que fournis avec le présent Guide d'utilisation.

Cette garantie exclut l'usure normale, les dommages causés par un usage impropre, les abus ou la négligence, ou tout dommage autre que ceux attribuables à des défauts de matériau et de fabrication. Cette garantie ne s'applique pas aux accessoires tels que lames de scie circulaire, mèches de perceuse et vilebrequin, lames de scie sauteuse, bandes abrasives et meules. Sont également exclues les pièces d'usure, telles que balais de charbon, lamelles pour outils à air comprimé, joints et manchons de caoutchouc, disques et patins ponceurs, ainsi que les piles.

Les outils électriques portables Festool à remplacer ou à réparer doivent être retournés avec le reçu d'achat à Festool (appelez au 800-554-8741 pour connaître l'adresse d'expédition).

FESTOOL N'EST EN AUCUN CAS RESPONSABLE DES DOMMAGES DIRECTS OU INDIRECTS, IMPLICITES OU EXPLICITES, DÉCOULANT DE LA RUPTURE DE CETTE GARANTIE OU DE TOUTE AUTRE GARANTIE. TOUTES

LES GARANTIES IMPLICITES, Y COMPRIS LES GARANTIES IMPLICITES DE QUALITÉ MARCHANDE ET D'ADÉQUATION À UN USAGE PARTICULIER, SONT LIMITÉES À UNE PÉRIODE DE TROIS ANS.

Certains états américains et certaines provinces canadiennes ne permettent pas la limitation des garanties implicites; il se pourrait donc que les limites indiquées ci-dessus ne s'appliquent pas

dans votre cas. À l'exception de certaines garanties implicites des provinces ou des états indiquées ici, la présente garantie est exclusive et remplace toute autre garantie, convention et obligation similaire de Festool.

Cette garantie vous confère des droits légaux spécifiques, et vous pouvez aussi avoir d'autres droits pouvant varier d'un état à l'autre, ou d'une province à l'autre au Canada.

NORMAS GENERALES DE SEGURIDAD

⚠️ ADVERTENCIA Lea y entienda todas las instrucciones. El incumplimiento con las instrucciones aquí referidas puede resultar en una descarga eléctrica, fuego y/o lesiones personales serias.

CONSERVE ESTAS INSTRUCCIONES

1) Seguridad del espacio de trabajo

a) Mantenga limpio y bien iluminado su puesto de trabajo. El desorden y una iluminación deficiente en las áreas de trabajo pueden provocar accidentes.

b) No utilice la herramienta eléctrica en un entorno con peligro de explosión, en el que se encuentren combustibles líquidos, gases o material en polvo. Las herramientas eléctricas producen chispas que pueden llegar a inflamar los materiales en polvo o vapores.

c) Mantenga alejados a los niños y otras personas de su puesto de trabajo al emplear la herramienta eléctrica. Una distracción le puede hacer perder el control sobre el aparato.

2) Seguridad eléctrica

a) El enchufe del aparato debe corresponder a la toma de corriente utilizada. No es admisible modificar el enchufe en forma alguna. No emplear adaptadores en aparatos dotados con una toma de tierra. Los enchufes sin modificar adecuados a las respectivas tomas de corriente reducen el riesgo de una descarga eléctrica.

b) Evite que su cuerpo toque partes conectadas a tierra como tuberías, radiadores,

cocinas y refrigeradores. El riesgo a quedar expuesto a una sacudida eléctrica es mayor si su cuerpo tiene contacto con tierra.

c) No exponga las herramientas eléctricas a la lluvia y evite que penetren líquidos en su interior. Existe el peligro de recibir una descarga eléctrica si penetran ciertos líquidos en la herramienta eléctrica.

d) No utilice el cable de red para transportar o colgar el aparato, ni tire de él para sacar el enchufe de la toma de corriente. Mantenga el cable de red alejado del calor, aceite, esquinas cortantes o piezas móviles. Los cables de red dañados o enredados pueden provocar una descarga eléctrica.

e) Al trabajar con la herramienta eléctrica en la intemperie utilice solamente cables de prolongación homologados para su uso en exteriores. La utilización de un cable de prolongación adecuado para su uso en exteriores reduce el riesgo de una descarga eléctrica.

f) Sujete la máquina únicamente por las empuñaduras aisladas si durante los trabajos las herramientas para separar pueden entrar en contacto con conducciones eléctricas ocultas o incluso con el cable de la corriente. Cuando las herramientas para separar entran en contacto con conducciones eléctricas bajo tensión, las partes metálicas de la máquina pueden adquirir esta tensión y transmitir, de ese modo, una descarga eléctrica al usuario.

3) Seguridad personal

a) Esté atento a lo que hace y emplee la herramienta eléctrica con prudencia. No utilice la herramienta eléctrica si estuviese cansa-

do, ni tampoco después de haber consumido alcohol, drogas o medicamentos. El no estar atento durante el uso de una herramienta eléctrica puede provocarle serias lesiones.

b) Utilice un equipo de protección y en todo caso unas gafas de protección. El riesgo a lesionarse se reduce considerablemente si, dependiendo del tipo y la aplicación de la herramienta eléctrica empleada, se utiliza un equipo de protección adecuado como una mascarilla antipolvo, zapatos de seguridad con suela antideslizante, casco, o protectores auditivos.

c) Evite una puesta en marcha fortuita del aparato. Cerciorarse de que el aparato esté desconectado antes conectarlo a la toma de corriente. Si transporta el aparato sujetándolo por el interruptor de conexión/desconexión, o si introduce el enchufe en la toma de corriente con el aparato conectado, ello puede dar lugar a un accidente.

d) Retire las herramientas de ajuste o llaves fijas antes de conectar la herramienta eléctrica. Una herramienta o llave colocada en una pieza rotante puede producir lesiones al ponerse a funcionar.

e) Sea precavido. Trabaje sobre una base firme y mantenga el equilibrio en todo momento. Ello le permitirá controlar mejor la herramienta eléctrica en caso de presentarse una situación inesperada.

f) Lleve puesta una vestimenta de trabajo adecuada. No utilice vestimenta amplia ni joyas. Mantenga su pelo, vestimenta y guantes alejados de las piezas móviles. La vestimenta suelta, las joyas y el pelo largo se pueden enganchar con las piezas en movimiento.

g) Siempre que sea posible utilizar unos equipos de aspiración o captación de polvo, asegúrese que éstos estén montados y que sean utilizados correctamente. El empleo de estos equipos reduce los riesgos derivados del polvo.

4) Uso y cuidado de la herramienta

a) No sobrecargue el aparato. Use la herramienta prevista para el trabajo a realizar. Con la herramienta adecuada podrá trabajar mejor y más seguro dentro del margen de potencia indicado.

b) No utilice herramientas con un interruptor defectuoso. Las herramientas que no se puedan conectar o desconectar son peligrosas y deben hacerse reparar.

c) Saque el enchufe de la red antes de realizar un ajuste en el aparato, cambiar de accesorio o al guardar el aparato. Esta medida preventiva reduce el riesgo a conectar accidentalmente el aparato.

d) Guarde las herramientas fuera del alcance de los niños y de las personas que no estén familiarizadas con su uso. Las herramientas utilizadas por personas inexpertas son peligrosas.

e) Cuide sus aparatos con esmero. Controle si funcionan correctamente, sin atascarse, las partes móviles del aparato, y si existen partes rotas o deterioradas que pudieran afectar al funcionamiento de la herramienta. Si la herramienta eléctrica estuviese defectuosa haga repararla antes de volver a utilizarla. Muchos de los accidentes se deben a aparatos con un mantenimiento deficiente.

f) Mantenga los útiles limpios y afilados. Los útiles mantenidos correctamente se dejan guiar y controlar mejor.

g) Utilice herramientas eléctricas, accesorios, útiles, etc. de acuerdo a estas instrucciones y en la manera indicada específicamente para este aparato. Considere en ello las condiciones de trabajo y la tarea a realizar. El uso de herramientas eléctricas para trabajos diferentes de aquellos para los que han sido concebidas puede resultar peligroso.

5) Trato y uso cuidadoso de aparatos accionados por acumulador

a) Antes de montar el acumulador cerciorarse de que el aparato esté desconectado. La inserción del acumulador en una herramienta eléctrica conectada puede causar un accidente.

b) Solamente cargar los acumuladores con los cargadores recomendados por el fabricante. Existe riesgo de incendio al intentar cargar acumuladores de un tipo diferente al previsto para el cargador.

c) Solamente emplee los acumuladores previstos para la herramienta eléctrica. El uso de otro tipo de acumuladores puede provocar daños e incluso un incendio.

d) Si no utiliza el acumulador, guárdelo separado de clips, monedas, llaves, clavos, tornillos o demás objetos metálicos que pudieran puentear sus contactos. El cortocircuito de los contactos del acumulador puede causar quemaduras o un incendio.

e) La utilización inadecuada del acumulador puede provocar fugas de líquido. Evite el contacto con él. En caso de un contacto accidental enjuagar el área afectada con abundante agua. En caso de un contacto con los ojos recurra además inmediatamente a un médico. El líquido del acumulador puede irritar la piel o producir quemaduras.

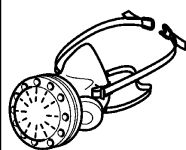
6) Mantenimiento

a) Únicamente haga reparar su herramienta eléctrica por un profesional, empleando exclusivamente piezas de repuesto originales. Solamente así se mantiene la seguridad de la herramienta eléctrica.

⚠ADVERTENCIA Para reducir el riesgo de lesión, el usuario debe leer y entender el manual de instrucción.

⚠ ADVERTENCIA Algunos polvos creados por lijadoras mecánicas, aserraderos, trituradores, perforadoras y otras actividades de construcción contienen sustancias químicas que se sabe (en el Estado de California) causan cáncer, defectos de nacimiento u otros daños al sistema reproductivo. Algunos ejemplos de estas sustancias químicas son:

- Plomo de las pinturas con base de plomo
- Sílice cristalino de los ladrillos y cemento y otros productos de mampostería, y
- Arsénico y cromo de madera tratada con sustancias químicas



El riesgo de exposición a estas sustancias varía, dependiendo de cuantas veces se hace este tipo de trabajo. Para reducir el contacto con estas sustancias químicas: trabaje en un área con buena ventilación y trabaje con equipo de seguridad aprobado, como mascarillas para el polvo diseñadas específicamente para filtrar partículas microscópicas.

Datos técnicos

Taladro atornillador

Potencia del motor	C 12 12 V
Velocidad en vacío: 1ª marcha / 2ª marcha	0 - 450 rpm / 0 - 1500 rpm
Par de apriete máximo: en lugares blandos / duros	18 Nm / 30 Nm
Par de apriete regulable: 1ª marcha / 2ª marcha	2 - 7 Nm / 0.5 - 2.5 Nm
Alcance del portabrocas	1.5 - 13 mm
Diámetro máx. perforación en metal / madera	14 mm / 25 mm
Alojamiento de herramientas en el eje	1/4"
Peso con acumulador	0.96 kg (2.1 lbs)

Cargador

Tensión / frecuencia de la red (entrada)	LC 45 120 V ~ / 60 Hz
Tensión de carga (salida)	7.2 - 18 V (DC)
Corriente de carga:	
• Carga rápida	max. 3 A
• Carga de mantenimiento por impulsos	aprox. 0.06 A
Tiempo para recargar para:	aprox. 30 min
• NiCd 1.3 Ah	aprox. 50 min
• NiCd 2.4 Ah	aprox. 70 min
• NiMH 3.0 Ah	

Juego de acumuladores

	BPS 12 C NiCd	BPS 12 S NiCd	BPS 12 S NiMH
Nº de pedido	493 348	492 268	491 821
Voltaje	12 V	12 V	12 V
Capacidad	1.3 Ah	2.4 Ah	3.0 Ah
Margen de temp. de carga	5 - 45 °C	5 - 45 °C	5 - 45 °C
Control de estado de carga		por resistencia NTC	
Peso	0.56 kg (1.2 lbs)	0.73 kg (1.6 lbs)	0.75 kg (1.7 lbs)

Símbolos

V	voltios
A	amperios
Hz	hertzios
W	watios
~	rensión alterna
n ₀	revoluciones sin carga
⊠	Clase II Construcción
rpm	revoluciones por minuto

Utilización adecuada

Los taladros atornilladores Akku son apropiados para taladrar en metal, madera, plásticos y materiales similares, así como para atornillar y

apretar tornillos (hasta un diámetro de 6 mm en madera)

El cargador LC 45 está destinado para cargar los acumuladores especificados.

⚠ ADVERTENCIA El usuario se responsabiliza de los daños debidos a un uso inadecuado.

Sujeción a la pared LC 45

El cargador LC 45 tiene en su parte posterior dos agujeros alargados para poder ser colgado a la pared usando dos tornillos (por ej. tornillos de cabeza plana o algo redondeada con 5 mm de diámetro del vástago). Para ello, atornillar los dos tornillos separados 96 mm a tal profundidad que la cabeza de tornillo todavía sobresalga unos 4 mm de la pared.

Ajustes en la máquina

Cambiar el acumulador

- Retirar el acumulador: pulsar las dos teclas (1.6) y extraer el acumulador tirando hacia delante.
- Colocar el acumulador: insertar el acumulador hasta que se enclave en el soporte en la parte inferior del mango (1.7).

Cambiar el sentido de giro

El botón (1.2) sirve para determinar el sentido de giro.

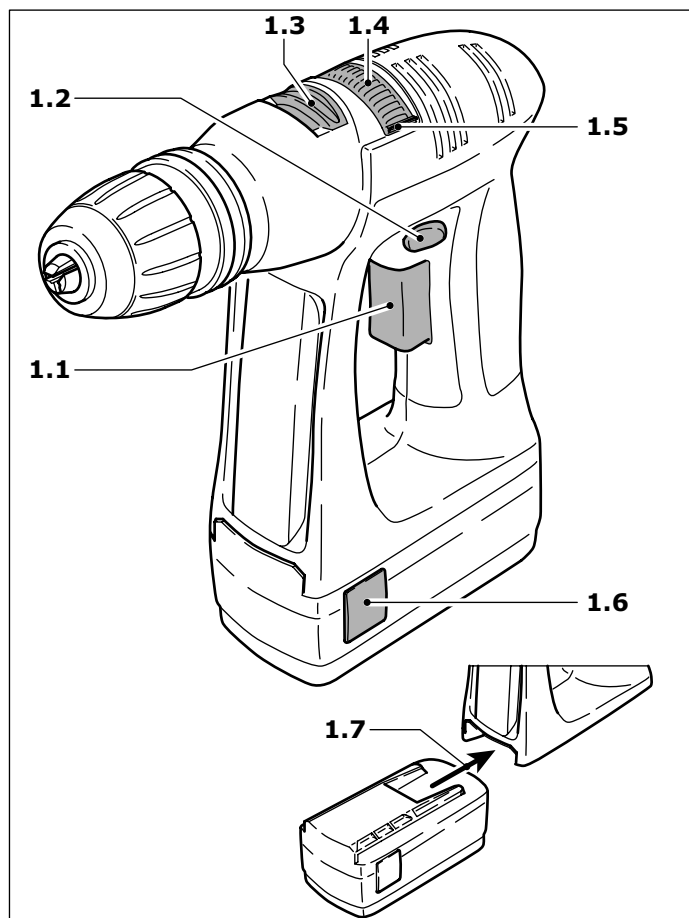
- Botón apretado de derecha a izquierda = el taladro atornillador gira hacia la derecha;
- Botón apretado de izquierda a derecha = el taladro atornillador gira hacia la izquierda;
- Botón en posición media = bloqueo de conexión.

Conmutación del engranaje

PRECAUCIÓN ¡Conectarlo sólo con la máquina parada!

Con el interruptor desplazable (1.3) se conecta el engranaje.

- 1ª marcha: Interruptor hacia adelante - se ve la cifra 1.
- 2ª marcha: Interruptor hacia atrás - se ve la cifra 2.



Regulación del par de apriete

Girando la rueda de ajuste (1.4) se puede regular el par de apriete. La marca con la flecha (1.5) indica el estado ajustado en cada momento:

Taladrar

La flecha de marca mira hacia el símbolo de taladrar = par de apriete máximo.

Atornillar

Par de apriete según el ajuste:

- Posición en 1 = par de apriete bajo
- Posición en 20 = par de apriete alto

Funcionamiento

Ponerlo en funcionamiento con el pulsador (1.1). Según la presión que se ejerza sobre el pulsador varía la velocidad de giro del taladro atornillador.

Para desconectarlo basta con soltar el pulsador (1.1). Después de soltar el pulsador, se frena el eje (portabrocas) impidiendo que la máquina siga girando por inercia.

Señal de advertencia

En los estados de funcionamiento indicados a continuación la máquina emite una señal acústica de advertencia y se apaga:

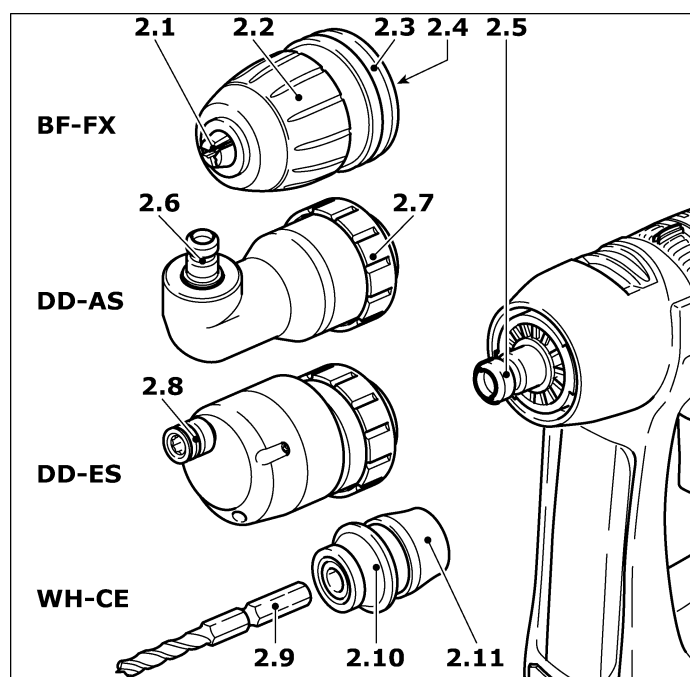
Pitidos a intervalos regulares

- Acumulador vacío

Triple pitido a intervalos regulares

- Carga (par de apriete) demasiado alta
- Máquina demasiado caliente.

Toma de herramienta, grupos adicionales



ADVERTENCIA Asegúrese en cada cambio de toma de herramienta, grupo adicional y herramienta que la máquina esté apagada y el bloque de acumulador quitado.

Portabrocas BF-FX

El portabrocas sirve para sujetar las brocas y las puntas de destornillador.

Montaje:

- Coloque el portabrocas en el husillo portabrocas (2.5) y gírelo hasta que la clavija hexagonal

(2.4) del portabrocas se enclava en la toma hexagonal interior del husillo portabrocas.

- Estire la anilla de desbloqueo (2.3) hacia adelante, apriete el portabrocas sobre el husillo portabrocas hasta el tope y suelte la anilla de desbloqueo.

Desmontaje:

- Estire la anilla de desbloqueo hacia adelante y quite el portabrocas.

Cambiar la herramienta:

- Gire el manguito de sujeción (2.2) en contra del sentido de las agujas del reloj para abrir las mordazas de apriete (2.1)

(Nota: Cuando la máquina está parada, el husillo está bloqueado automáticamente).

- Introduzca la herramienta en el portabrocas.
- Apriete bien la sujeción de la herramienta girando el manguito de apriete en el sentido de las agujas del reloj.

enga siempre en cuenta que la herramienta esté sujeta de forma céntrica en el portabrocas.

Ángulo adicional DD-AS

El ángulo adicional facilita el trabajo (taladrar, atornillar) vertical con respecto al eje longitudinal de la máquina.

Montaje:

- Coloque el ángulo adicional sobre el husillo portabrocas y gírelo hasta que se enclava en la posición deseada (Nota: El ángulo adicional se puede enclavar en 16 posiciones angulares distintas).
- Bloquee el ángulo adicional girando la anilla de sujeción (2.7) en el sentido de las agujas del reloj hasta que quede apretada.

Desmontaje:

- Gire la anilla de sujeción en el sentido contrario a las agujas del reloj hasta llegar al tope y quite el ángulo adicional.

Montar / desmontar el portabrocas en el ángulo adicional:

El portabrocas se sujeta de la misma manera en el eje (2.6) del ángulo adicional que en el husillo portabrocas de la máquina.

Excéntrica adicional DD-ES

La excéntrica adicional sirve para la toma de puntas de destornillador. Permite atornillar cerca de los bordes.

Montar / desmontar la excéntrica adicional:

El montaje / desmontaje de la excéntrica adicional se realiza de la misma manera que el montaje y desmontaje del ángulo adicional (véase DD-AS).

Cambiar la herramienta:

- Estire la anilla de desbloqueo (2.8) hacia atrás y saque o bien introduzca la herramienta.

Portautensili CENTROTEC WH-CE

El portautensili CENTROTEC consente di effettuare un rapido cambio degli utensili con gambo CENTROTEC.

⚠ADVERTENCIA Pericolo di lesioni! Maneggiare l'attrezzo e i relativi taglienti affilati con particolare scrupolo durante la sostituzione e indossare gli appositi guanti da lavoro.

⚠PRECAUCION Non fissare gli attrezzi CENTROTEC sulla parte tonda del codolo in un mandrino tradizionale, al fine di evitare danni al codolo stesso.

Montaggio

- Spostare in avanti l'anello di sblocco (2.11), inserire il portautensili fino a battuta sul mandrino portapunte (2.5) e rilasciare l'anello di sblocco.

Smontaggio

- Spostare in avanti l'anello di sblocco ed estrarre il portautensili.

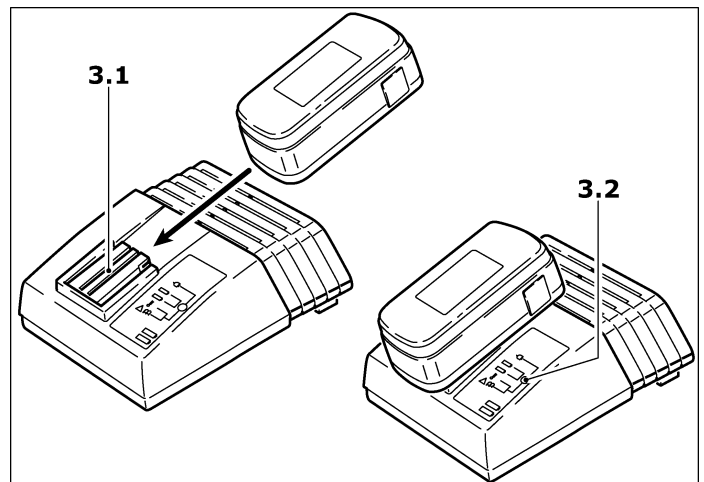
Sostituzione dell'utensile

- Per inserire e/o disinserire un utensile con gambo CENTROTEC, spostare indietro l'anello di sblocco di colore verde (2.10). Quando si inserisce l'utensile, avvitare finché il suo gambo di forma esagonale (2.9) non si innesta nell'alloggiamento di forma esagonale del mandrino portapunte e spingere l'utensile fino a battuta nel portautensili.

Toma de herramienta en el husillo portabrocas

Para que la máquina sea más corta y más ligera las puntas de destornillador se pueden introducir directamente en la toma hexagonal interior del husillo portabrocas (2.5).

Cargar el juego de acumuladores



Para cargar es preciso empujar el acumulador hasta el tope en el soporte (3.1) del cargador. En dirección opuesta, el acumulador cargado puede extraerse del cargador.

El tipo de acumulador empleado (NiCd o NiMH) lo detecta el cargador automáticamente. El proceso de carga lo controla un micro-procesador.

Si se emplea un acumulador de NiMH en estado caliente (>37°C), se carga sólo con corriente de carga reducida. En este caso se alarga el tiempo de recarga.

El diodo luminoso (LED) (3.2) indica el estado actual del cargador.

LED amar. – permanente:

El cargador está listo para ser usado.

LED verde – intermitente:

El juego de acu-muladores está cargado.

LED verde – permanente:

Juego de acumuladores cargado; cargador con carga de mantenimiento.

LED rojo – intermitente:

Indicación general de error, por ej. mal puesto, defectuoso, o cortocircuito.

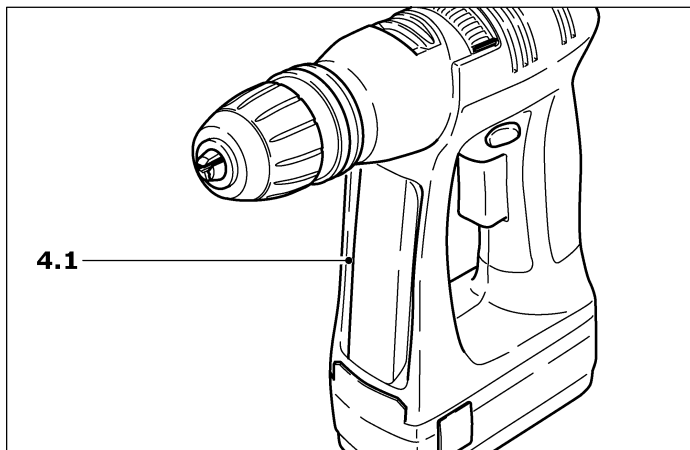
LED rojo – permanente:

Temperatura de acumuladores superior a valores permitidos.

⚠ADVERTENCIA Observar obligatoriamente las indicaciones en el capítulo "Mantenimiento - Cuidado".

Depósito para destornilladores

En los depósitos de destornillador (4.1) con soporte magnético se pueden incorporar más puntas de destornillador o prolongaciones de destornillador.



Mantenimiento - Cuidados

⚠PRECAUCIÓN Tenga en cuenta las indicaciones que se ofrecen a continuación. En caso de inobservancia existirá peligro de dañar la máquina, el cargador o el acumulador.

- Sólo técnicos especializados pueden llevar a cabo las reparaciones. Con el cargador LC 45, continúa habiendo una tensión del capacitor elevada en el interior del aparato después de separarlo de la red.
- Mantener limpias las ranuras de la herramienta eléctrica y del cargador para que el aire de refrigeración circule sin problemas.
- En el interior del cargador no debe penetrar ningún trozo de metal (viruta metálica) a través de las aberturas para los acumuladores ni de las ranuras de ventilación (peligro de cortocircuito).
- Emplee sólo juegos de acumuladores de Festool. No emplee juegos de acumuladores ya desgastados y preparados de nuevo para poder ser usados. El usuario se responsabiliza de los posibles daños por el uso de juegos de acumuladores no originales de Festool.
- Mantener limpios los contactos de conexión de la máquina, del cargador y del juego de acumuladores.

- Guardando el juego de acumuladores en un cargador listo para ser usado, el juego de acumuladores se mantiene siempre cargado debido a la carga de mantenimiento.
- No dejar los acumuladores vacíos durante más de 1 mes en el cargador si éste está separado de la red (peligro de descarga total).
- Un juego de acumuladores nuevo o que no haya sido utilizado en mucho tiempo alcanza su capacidad total después de aproximadamente 5 ciclos de carga y descarga.
- Los juegos de acumuladores deberían estar descargados prácticamente por completo antes de volver a ser cargados. Si se carga repetidamente un juego de acumuladores no desgastado del todo, se reduce su vida útil.
- Una capacidad de funcionamiento bastante más corta por cada carga indica que el acumulador está gastado y que debe ser sustituido por uno nuevo.
- Los acumuladores NiCd que no se utilicen durante un período prolongado deberían guardarse completamente descargados.

Indicaciones especiales para los acumuladores NiMH:

- Cuando la temperatura ambiente está por debajo de los 0° C o bien por encima de los 45° C, el rendimiento del acumulador NiMH disminuirá considerablemente.
- No deberá sobrecargarse la máquina (no cargar la máquina tanto como para que llegue a pararse).
- Los acumuladores NiMH deberán recargarse cada 4 meses aunque no se utilicen para mantener toda su capacidad.
- Los acumuladores de NiMH deberían permanecer todavía 60 minutos más en el cargador tras cargarse por décima vez en el modo de carga rápida. Así se compensan las posibles diferencias de capacidad de las células.
- Debido a que se descargan solos, los acumuladores NiMH deben guardarse preferentemente en lugares con una temperatura ambiente entre 0° C y 25° C .

Reciclaje de los juegos de acumuladores

No tire a la basura el juego de acumuladores ya desgastado. Devuelva los juegos de acumuladores utilizados o defectuosos al comercio especializado, al servicio de postventa de Festool o a los centros municipales de recogida de basura especial. De esta manera se facilita un reciclaje correcto de los acumuladores.

Accesorios, herramientas

⚠ADVERTENCIA ¡Por razones de seguridad, solamente deben emplearse accesorios y herramientas originales de Festool!

Los números de pedido para los respectivos accesorios y herramientas se encuentran en su catálogo Festool o en Internet en la dirección **www.festool-usa.com**.

Garantía

Condiciones de la Garantía 1 + 2

Usted tiene derecho a una garantía extendida gratuita (1 año + 2 años = 3 años) para su herramienta mecánica Festool. Festool se hará responsable por los gastos de envío durante el primer año de garantía. Durante el segundo y tercer año de garantía el cliente es responsable por el costo del envío de la herramienta a Festool. Festool pagará el embarque de regreso al cliente usando UPS Ground Service. Todo el servicio de garantía es válido por 3 años desde la fecha de la compra de acuerdo a la fecha de su recibo o factura de compra.

Garantía limitada de Festool

Esta garantía es válida con la condición previa de que la herramienta se usa y opera de conformidad con las instrucciones de operación de Festool. Festool garantiza, sólo al comprador original, que la herramienta especificada estará libre de defectos de fabricación y materiales durante un periodo de un año a partir de la fecha de compra. Festool no otorga otras garantías, ni explícitas ni implícitas para ninguna de las herramientas mecánicas portátiles Festool. Ningún agente, representante, distribuidor, comerciante o empleado de Festool está autorizado para extender o modificar de cualquier manera las obligaciones o limitaciones de esta garantía. Las obligaciones de Festool, a su propia entera discreción, están limitadas a la reparación o sustitución de cualquier herramienta portátil Festool que se encuentre estar defectuosa en el momento de ser embalada junto con el manual de usuario.

Quedan excluidos de la cobertura en esta garantía: el desgaste normal; los daños causados por uso indebido, el abuso o negligencia; los daños causados por cualquier otra causa que no sean

defectos del material o de la fabricación. Esta garantía no aplica a accesorios como cuchillas de sierras circulares, brocas de taladro, barrenas de buriladora, cuchillas de sierra, cuchillas para sierras de calado, correas de lijadoras y ruedas de esmeril. También se excluyen las "partes que se desgastan" como cepillos de carbón, laminillas de herramientas de aire, collarines de hule y sellos, discos y cojines de lijado, y baterías.

Las herramientas mecánicas portátiles Festool que requieran de reemplazo o reparación deben devolverse con el recibo de compra a Festool (llame al 800-554-8741 para los detalles de la dirección).

EN NINGÚN CASO FESTOOL SE HARÁ RESPONSABLE POR LOS DAÑOS SECUNDARIOS O CONSECUENTES OCASIONADOS POR LA VIOLACIÓN DE ESTA O CUALQUIER OTRA GARANTÍA, SEA EXPLÍCITA O IMPLÍCITA. TODAS LAS GARANTÍAS IMPLICADAS POR LEYES ESTATALES, INCLUYENDO LAS GARANTÍAS IMPLICADAS DE COMERCIALIZACIÓN Y ADECUACIÓN A UN PROPÓSITO PARTICULAR, QUEDAN LIMITADAS A TRES AÑOS DE DURACIÓN.

Algunos estados de EE.UU. y algunas provincias de Canadá no permiten las limitaciones en cuanto a la duración de las garantías implícitas, de modo que la limitación arriba indicada puede que no le afecte. A excepción de algunas garantías implicadas por leyes estatales o provinciales, limitadas por la presente, la anteriormente citada garantía, expresamente limitada, es exclusiva y sustituye a cualquier otra garantía, acuerdo u obligación similar de Festool.

Esta garantía le concede derechos legales específicos y usted podría tener otros derechos legales que varían de estado a estado en EE.UU. y de provincia a provincia en Canadá.kjgph