

DTS 400 Q  
DTS 400 EQ



## **Instruction manual**

Page 2 - 6

**IMPORTANT:** Read and understand all instructions before using.

## **Guide d'utilisation**

Page 7 - 11

**IMPORTANT:** Lire et comprendre toutes les instructions avant de démarrer les travaux.

## **Manual de instrucciones**

Página 12 - 16

**IMPORTANTE:** Lea y comprende todas las instrucciones antes de usar.

## General safety rules

**⚠️ WARNING** Read and understand all instructions. Failure to follow all instructions listed below may result in electric shock, fire and/or serious personal injury.

### SAVE THESE INSTRUCTIONS

#### 1) Work area safety

**a) Keep work area clean and well lit.** Cluttered and dark areas invite accidents.

**b) Do not operate power tools in explosive atmospheres, such as in the presence of flammable liquids, gases or dust.** Power tools create sparks which may ignite the dust or fumes.

**c) Keep children and bystanders away while operating a power tool.** Distractions can cause you to lose control.

#### 2) Electrical safety

**a) Power tool plugs must match the outlet. Never modify the plug in any way. Do not use any adapter plugs with earthed (grounded) power tools.** Unmodified plugs and matching outlets will reduce risk of electric shock.

**b) Avoid body contact with earthed or grounded surfaces such as pipes, radiators, ranges and refrigerators.** There is an increased risk of electric shock if your body is earthed or grounded.

**c) Do not expose power tools to rain or wet conditions.** Water entering a power tool will increase the risk of electric shock.

**d) Do not abuse the cord. Never use the cord for carrying, pulling or unplugging the power tool. Keep cord away from heat, oil, sharp edges or moving parts.** Damaged or entangled cords increase the risk of electric shock.

**e) When operating a power tool outdoors, use an extension cord suitable for outdoor use.** Use of a cord suitable for outdoor use reduces the risk of electric shock.

**f) Hold power tool by insulated gripping surfaces only, when performing an operation where the cutting accessory may contact hidden wiring or its own cord.** Contact with a „live“ wire will make exposed metal parts of the power tool „live“ and shock the operator.

#### 3) Personal safety

**a) Stay alert, watch what you are doing and use common sense when operating a power tool. Do not use a power tool while you are tired or under the influence of drugs, alcohol or medication.** A moment of inattention while

operating power tools may result in serious personal injury.

**b) Use safety equipment. Always wear eye protection.** Safety equipment such as dust mask, non-skid safety shoes, hard hat, or hearing protection used for appropriate conditions will reduce personal injuries.

**c) Avoid accidental starting. Ensure the switch is in the off position before plugging in.** Carrying power tools with your finger on the switch or plugging in power tools that have the switch on invites accidents.

**d) Remove any adjusting key or wrench before turning the power tool on.** A wrench or a key left attached to a rotating part of the power tool may result in personal injury.

**e) Do not overreach. Keep proper footing and balance at all times.** This enables better control of the power tool in unexpected situations.

**f) Dress properly. Do not wear loose clothing or jewellery. Keep your hair, clothing and gloves away from moving parts.** Loose clothes, jewellery or long hair can be caught in moving parts.

**g) If devices are provided for the connection of dust extraction and collection facilities, ensure these are connected and properly used.** Use of these devices can reduce dust related hazards.

#### 4) Tool use and care

**a) Do not force the power tool. Use the correct power tool for your application.** The correct power tool will do the job better and safer at the rate for which it was designed.

**b) Do not use the power tool if the switch does not turn it on and off.** Any power tool that cannot be controlled with the switch is dangerous and must be repaired.

**c) Disconnect the plug from the power source before making any adjustments, changing accessories, or storing power tools.** Such preventive safety measures reduce the risk of starting the power tool accidentally.

**d) Store idle power tools out of the reach of children and do not allow persons unfamiliar with the power tool or these instructions to operate the power tool.** Power tools are dangerous in the hands of untrained users.

**e) Maintain power tools. Check for misalignment or binding of moving parts, breakage of parts and any other condition that may affect the power tools operation. If damaged, have the power tool repaired before use.** Many accidents are caused by poorly maintained power tools.

**f) Keep cutting tools sharp and clean.** Properly maintained cutting tools with sharp cutting edges are less likely to bind and are easier to control.

**g) Use the power tool, accessories and tool bits etc., in accordance with these instructions and in the manner intended for the particular type of power tool, taking into account the working conditions and the work to be performed.** Use of the power tool for operations different from those intended could result in a hazardous situation.

### 5) Service

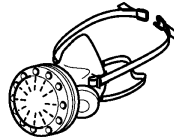
**a) Have your power tool serviced by a qualified repair person using only identical replacement parts.** This will ensure that the safety of the power tool is maintained.

**⚠ WARNING TO REDUCE THE RISK OF INJURY, USER MUST READ AND UNDERSTAND INSTRUCTION MANUAL.**

**⚠ WARNING** Various dust created by power sanding, sawing, grinding, drilling and other construction activities contains chemicals known (to the State of California) to cause cancer, birth defects or other reproductive harm. Some examples of these chemicals are:

- Lead from lead-based paints,
- Crystalline silica from bricks and cement and other masonry products,
- Arsenic and chromium from chemically-treated lumber.

The risk from these exposures varies, depending on how often you do this type of work.



To reduce your exposure to these chemicals work in a well ventilated area and use approved safety equipment, such as dust masks that are specially designed to filter out microscopic particles.

### Technical data

### DTS 400 Q / DTS 400 EQ

Wattage	230 W
No load speed	15 000 rpm / 6 000 - 15 000 rpm
No. of strokes	30 000 spm / 12 000 - 30 000 spm
Sanding stroke	2.0 mm (0.079 in.)
Sanding base (delta form)	80 x 150 mm (3.1 x 5.9 in.)
Weight	1.3 kg (2.9 lbs.)
Safety Ilevel	Ⓜ / II

### Symbols

V	volts
A	amperes
Hz	hertz
W	watt
~	alternating current
$n_0$	no load speed
Ⓜ	Class II Construction
rpm	revolutions per minute
spm	strokes per minute

### Intended use

The sanders are designed for sanding wood, plastic, composite materials, paint / varnish, filling material and similar materials. Metal and materials with an asbestos content must not be processed with these tools.

The machine is particularly suitable for processing smaller surfaces and overhead work because of its size, its weight and its output.

The machines must not be damp nor operated in a damp environment for electrical safety rea-

sons. The machines may only be used for dry sanding.

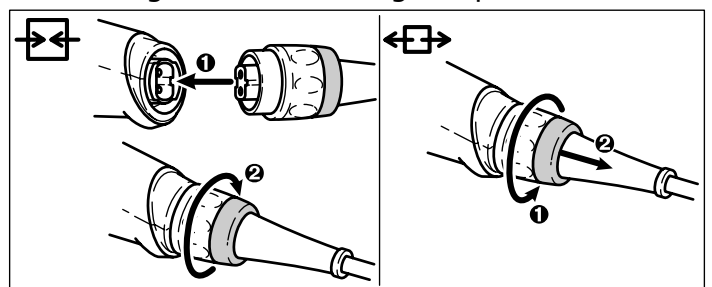
**⚠ WARNING** The user bears sole responsibility for any damage or accidents resulting from incorrect use.

### Electrical connection and operation

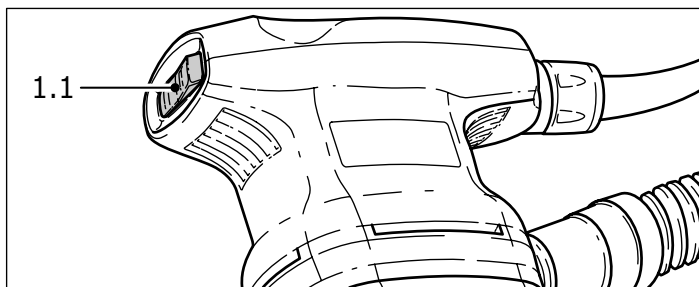
The mains voltage must correspond with the voltage on the rating plate!

See the following Fig. for connecting or disconnecting the power cord of the tool.

**⚠ WARNING** Always switch the machine off before connecting or disconnecting the power cable!



The switch (1.1) acts as an ON / OFF switch (I = ON / 0 = OFF).



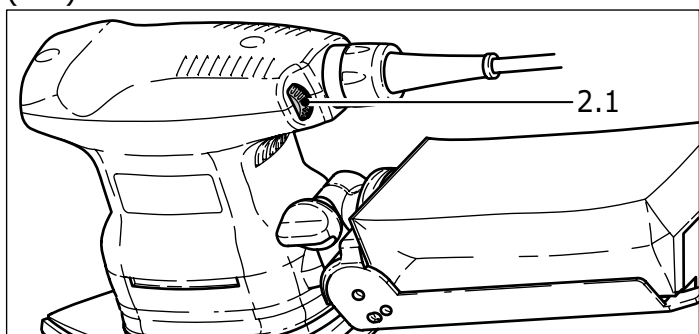
### Electronic control



The DTS 400 EQ has an electronic control with which the rotational speed can be varied step-free.

This allows the sanding speed to be adapted to the optimum level according to the material concerned (see "Working with the tool").

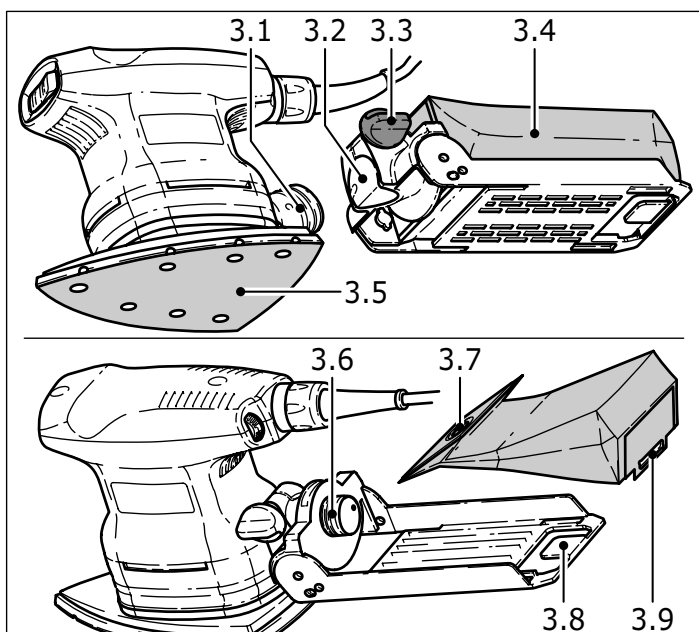
The speed is set using the rotary control button (2.1).



### Dust extraction

Dust extractors prevent large accumulations of dust in the air in the working environment and dirt collecting in the workplace.

### Inboard extraction



The machines are fitted with inbuilt extraction as standard. The sanding dust is extracted through

suction openings in the sanding base (3.5) and trapped in the turbo-filter (3.4).

The turbo-filter has to be changed when it is so full of dust that the extraction power diminishes.

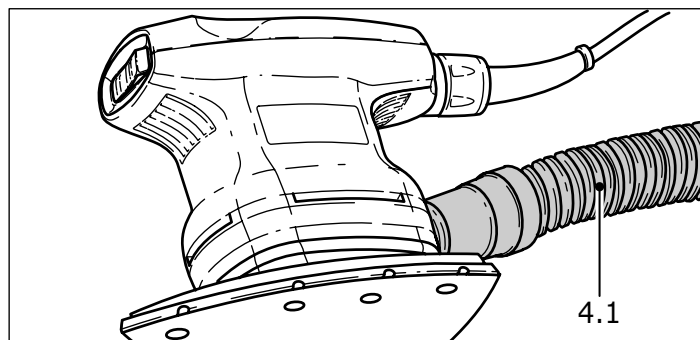
### Inserting a turbo-filter

- Push the filter holder with its opening (3.2) as far as it will go onto the extraction nozzle (3.1) of the machine and clamp tight by turning rotary knob (3.3).
- Push the front cardboard section of the turbo-filter with the sealing lip (3.7) onto the extraction nozzle (3.6) of the filter holder.
- Insert rear cardboard section with slot (3.9) onto the retaining strip (3.8) of the filter holder.

### External extraction by an extraction unit

In order to avoid frequent changing of the turbo-filter when carrying longer sanding jobs, it is possible to connect a Festool extractor to the unit instead of using inbuilt extraction.

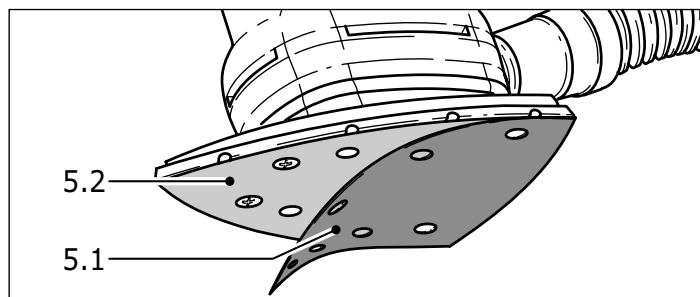
In this case, the extraction pipe (Ø 27 mm (4.1)) of the extraction unit is connected to the suction nozzle.



### Attaching sanding material



Stickfix is a hook-and-loop fastening system. Stickfix sanding pads allow the use of self-adhesive hook-and-loop abrasives such as Stickfix sandpapers and sanding cloths.



Simply press the abrasive (5.1) onto the sanding pad (5.2) and pull it off again after use.

**Please note:** Use only abrasives with an undamaged Stickfix hook-and-loop coating. Before use, check that the coating has not been damaged by improper use (such as overheating).

**CAUTION** Always use original Festool sanding materials!

## Working with the tool

**WARNING** Always secure the workpiece in such a manner that it cannot move while being sanded.

**CAUTION** Never overload the tool by using too much pressure! The best sanding results are achieved when applying moderate pressure.

The sanding performance and quality depend mainly on the choice of the right sanding material. Festool offers the appropriate sanding material for all applications (see Festool catalogue).

We recommend the following settings on the rotary control (2.1) for electronic machines:

### 5 - 6

- sanding with max. drive
- sanding old paint
- sanding wood and veneer prior to painting
- interim sanding of paint on surfaces

### 4 - 5

- sanding of thinly applied primer
- sanding of wood with sanding vlies
- sanding edges on wooden parts
- smoothing primed wooden surfaces.

### 3 - 4

- sanding full wooden and veneer edges
- sanding in the grooves/rebates of windows and doors
- interim paint sanding on edges
- pre-sanding natural wood windows with sanding vlies
- smoothing wood surfaces with sanding felt prior to staining
- rubbing down stained surfaces with sanding vlies
- rubbing down or removing excess lime paste with sanding vlies

### 2 - 3

- interim paint sanding on stained surfaces
- cleaning natural wood window grooves with sanding felt

### 1 - 2

- sanding stained edges
- sanding thermoplastic synthetics

## Maintenance and care

**WARNING** Always remove the plug from the mains supply socket before carrying out any work on the machine!

**WARNING** Any maintenance or repair work requiring the motor housing to be opened may

only be carried out by an authorised service workshop.

The cooling air vents on the motor housing must always be free of blockages and clean to ensure air circulation.

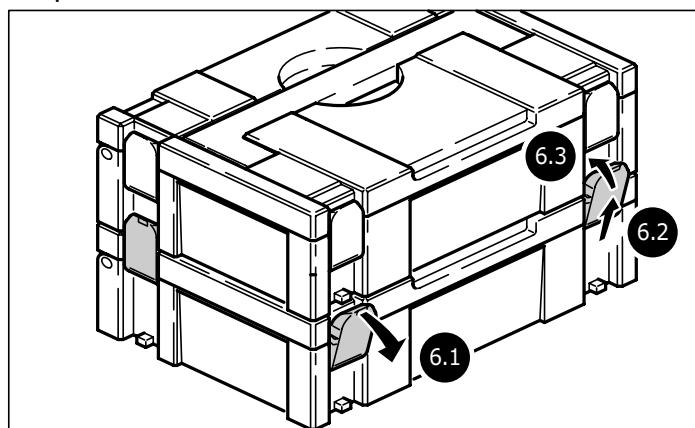
## Accessories, tools

**WARNING** For safety reasons, only use original Festool accessories and tools!

The accessory and tool order number can be found in the Festool catalog or on the Internet under [www.festool-usa.com](http://www.festool-usa.com).

## Systainer

Many Festool products are shipped in a unique system container, called "Systainer". This provides protection and storage for the tool and accessories. The Systainers are stackable and can be interlocked together. They also can be interlocked atop Festool CT dust extractors.



- Place one systainer on top of the other.
- Release all four latches on the lower systainer by pulling back at their top edges (6.1).
- Slide all four latches upward (6.2).
- Snap all four latches back to their flat position (6.3) so they engage the stacking tabs of the upper systainer.

## Warranty

### Conditions of 1+2 Warranty

You are entitled to a free extended warranty (1 year +2 years =3 years) for your Festool power tool. Festool shall be responsible for all shipping costs during the first year of the warranty. During the second and third year of the warranty the customer is responsible for shipping the tool to Festool. Festool will pay for return shipping to the customer using UPS Ground Service. All warranty service is valid 3 years from the date of purchase on your receipt or invoice.

### Festool Limited Warranty

This warranty is valid on the pre-condition that the tool is used and operated in compliance with the Festool operating instructions. Festool warrants,

only to the original consumer purchaser, that the specified tool will be free from defects in materials and workmanship for a term of one year from the date of procurement. Festool makes no other warranty, express or implied, for Festool portable power tools. No agent, representative, distributor, dealer or employee of Festool has the authority to increase or otherwise change the obligations or limitations of this warranty. The obligations of Festool in its sole discretion under this warranty shall be limited to the repair or replacement of any Festool portable power tool that is found to be defective as packaged with the User Manual.

Excluded from coverage under this warranty are: normal wear and tear; damages caused by misuse, abuse or neglect; damage caused by anything other than defects in material and workmanship. This warranty does not apply to accessory items such as circular saw blades, drill bits, router bits, jigsaw blades, sanding belts, and grinding wheels. Also excluded are "wearing parts", such as carbon

brushes, lamellas of air tools, rubber collars and seals, sanding discs and pads, and batteries.

Festool portable power tools requiring replacement or repair are to be returned with the receipt of purchase to Festool (call 800-554-8741 for address details).

**IN NO EVENT SHALL FESTOOL BE LIABLE FOR ANY CONSEQUENTIAL OR INCIDENTAL DAMAGES FOR BREACH OF THIS OR ANY OTHER WARRANTY, EXPRESSED OR IMPLIED WHATSOEVER. ALL WARRANTIES IMPLIED BY STATE LAW, INCLUDING THE IMPLIED WARRANTIES OF MERCHANTABILITY AND FITNESS FOR A PARTICULAR PURPOSE, ARE HEREBY LIMITED TO THE DURATION OF THREE YEARS.**

Some states in the U.S. and some Canadian provinces do not allow the limitations on how long an implied warranty lasts, so the above limitation may not apply to you. With the exception of any warranties implied by state or province law as hereby limited, the foregoing express limited warranty is exclusive and in lieu of all other warranties, guarantees, agreements and similar obligations of Festool. This warranty gives you specific legal rights and you may

also have other rights which vary from state to state in the U.S. and province to province in Canada.

## Règles de sécurité générales

**AVERTISSEMENT** Assurez-vous de lire et de bien comprendre toutes les instructions. Le non-respect, même partiel, des instructions ci-dessous peut entraîner un risque de choc électrique, d'incendie et/ou de blessures graves.

### CONSERVEZ CES INSTRUCTIONS

#### 1) Sécurité de aire de travail

**a) Maintenez l'endroit de travail propre et bien éclairé.** Un lieu de travail en désordre ou mal éclairé augmente le risque d'accidents.

**b) N'utilisez pas l'appareil dans un environnement présentant des risques d'explosion et où se trouvent des liquides, des gaz ou poussières inflammables.** Les outils électroportatifs génèrent des étincelles risquant d'enflammer les poussières ou les vapeurs.

**c) Tenez les enfants et autres personnes éloignés durant l'utilisation de l'outil électroportatif.** En cas d'inattention vous risquez de perdre le contrôle sur l'appareil.

#### 2) Sécurité électrique

**a) La fiche de secteur de l'outil électroportatif doit être appropriée à la prise de courant. Ne modifiez en aucun cas la fiche. N'utilisez pas de fiches d'adaptateur avec des appareils avec mise à la terre.** Les fiches non modifiées et les prises de courant appropriées réduisent le risque de choc électrique.

**b) Evitez le contact physique avec des surfaces mises à la terre tels que tuyaux, radiateurs, fours et réfrigérateurs.** Il y a un risque élevé de choc électrique au cas où votre corps serait relié à la terre.

**c) N'exposez pas l'outil électroportatif à la pluie ou à l'humidité.** La pénétration d'eau dans un outil électroportatif augmente le risque d'un choc électrique.

**d) N'utilisez pas le câble à d'autres fins que celles prévues, n'utilisez pas le câble pour porter l'appareil ou pour l'accrocher ou encore pour le débrancher de la prise de courant. Maintenez le câble éloigné des sources de chaleur, des parties grasses, des bords tranchants ou des parties de l'appareil en rotation.** Un câble endommagé ou torsadé augmente le risque d'un choc électrique.

**e) Au cas où vous utiliseriez l'outil électroportatif à l'extérieur, utilisez une rallonge autorisée homologuée pour les applications extérieures.** L'utilisation d'une rallonge électrique homologuée pour les applications extérieures réduit le risque d'un choc électrique.

**f) Ne tenez l'outil qu'à l'aide des poignées isolées, lorsque vous êtes susceptibles de**

**toucher des lignes électriques cachées ou votre propre câble électrique, lorsque vous travaillez avec des outils de tronçonnage.** Si des outils de tronçonnage touchent des lignes électriques, des pièces métalliques de l'outil peuvent être mises sous tension et asséner une décharge électrique à l'utilisateur.

#### 3) Sécurité des personnes

**a) Restez vigilant, surveillez ce que vous faites. Faites preuve de bon en utilisant l'outil électroportatif. N'utilisez pas l'appareil lorsque vous êtes fatigué ou après avoir consommé de l'alcool, des drogues ou avoir pris des médicaments.** Un moment d'inattention lors de l'utilisation de l'appareil peut entraîner de graves blessures sur les personnes.

**b) Portez des équipements de protection. Portez toujours des lunettes de protection.** Le fait de porter des équipements de protection personnels tels que masque anti-poussières, chaussures de sécurité antidérapantes, casque de protection ou protection acoustique suivant le travail à effectuer, réduit le risque de blessures.

**c) Evitez une mise en service par mégarde. Assurez-vous que l'interrupteur est effectivement en position d'arrêt avant de retirer la fiche de la prise de courant.** Le fait de porter l'appareil avec le doigt sur l'interrupteur ou de brancher l'appareil sur la source de courant lorsque l'interrupteur est en position de fonctionnement, peut entraîner des accidents.

**d) Enlevez tout outil de réglage ou toute clé avant de mettre l'appareil en fonctionnement.** Une clé ou un outil se trouvant sur une partie en rotation peut causer des blessures.

**e) Ne surestimez pas vos capacités. Veillez à garder toujours une position stable et équilibrée.** Ceci vous permet de mieux contrôler l'appareil dans des situations inattendues.

**f) Portez des vêtements appropriés. Ne portez pas de vêtements amples ni de bijoux. Maintenez cheveux, vêtements et gants éloignés des parties de l'appareil en rotation.** Des vêtements amples, des bijoux ou des cheveux longs peuvent être happés par des pièces en mouvement.

**g) Si des dispositifs servant à aspirer ou à recueillir les poussières doivent être utilisés, vérifiez que ceux-ci soient effectivement raccordés et qu'ils sont correctement utilisés.** L'utilisation de tels dispositifs réduit les dangers dus aux poussières.

#### 4) Utilisation et entretien des outils

**a) Ne surchargez pas l'appareil. Utilisez l'outil électroportatif approprié au travail à effectuer.** Avec l'outil électroportatif approprié,

vous travaillerez mieux et avec plus de sécurité à la vitesse pour laquelle il est prévu.

**b) N'utilisez pas un outil électroportatif dont l'interrupteur est défectueux.** Un outil électroportatif qui ne peut plus être mis en ou hors fonctionnement est dangereux et doit être réparé.

**c) Retirer la fiche de la prise de courant avant d'effectuer des réglages sur l'appareil, de changer les accessoires, ou de ranger l'appareil.** Cette mesure de précaution empêche une mise en fonctionnement par mégarde.

**d) Gardez les outils électroportatifs non utilisés hors de portée des enfants. Ne permettez pas l'utilisation de l'appareil à des personnes qui ne se sont pas familiarisées avec celui-ci ou qui n'ont pas lu ces instructions.** Les outils électroportatifs sont dangereux lorsqu'ils sont utilisés par des personnes non initiées.

**e) Prenez soin des outils électroportatifs. Vérifiez que les parties en mouvement fonctionnent correctement et qu'elles ne soient pas coincées, et contrôlez si des parties sont cassées ou endommagées de telle sorte que le bon fonctionnement de l'appareil s'en trouve entravé. Faites réparer les parties endommagées avant d'utiliser l'appareil.** De nombreux accidents sont dus à des outils électroportatifs mal entretenus.

**f) Maintenez les outils de coupe aiguisés et propres.** Des outils soigneusement entretenus avec des bords tranchants bien aiguisés se coincent moins souvent et peuvent être guidés plus facilement.

**g) Utilisez les outils électroportatifs, les accessoires, les outils à monter etc. conformément à ces instructions et aux prescriptions en vigueur pour ce type d'appareil. Tenez**

**compte également des conditions de travail et du travail à effectuer.** L'utilisation des outils électroportatifs à d'autres fins que celles prévues peut entraîner des situations dangereuses.

## 5) Entretien et réparation

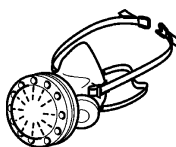
**a) Ne faites réparer votre outil électroportatif que par un personnel qualifié et seulement avec des pièces de rechange d'origine.** Ceci permet d'assurer la sécurité de l'appareil.

**⚠AVERTISSEMENT POUR RÉDUIRE LE RISQUE DE DOMMAGES, L'UTILISATEUR DOIT LIRE ET COMPRENDRE LE MANUEL D'INSTRUCTION.**

**⚠AVERTISSEMENT** Certaines poussières créées par le ponçage mécanique, le sciage, le meulage, le perçage et autres activités reliées à la construction contiennent des substances chimiques connues (dans l'État de la Californie) comme pouvant causer le cancer, des anomalies congénitales ou représenter d'autres dangers pour la reproduction. Voici quelques exemples de telles substances:

- plomb provenant de peintures à base de plomb,
- silice cristallisée utilisée dans les briques, le ciment et autres matériaux de maçonnerie, et
- arsenic et chrome du bois d'œuvre traité avec un produit chimique.

Le risque d'exposition à de tels produits varie selon la fréquence à laquelle vous faites ce genre de travail.



Pour réduire les risques d'exposition à ces substances chimiques : travaillez dans un endroit adéquatement ventilé et utilisez un équipement de sécurité approuvé, tel que masques antipoussières spécialement conçus pour filtrer les particules microscopiques.

## Caracteristiques techniques DTS 400 Q / DTS 400 EQ

Puissance absorbée	230 W
Vitesse à vite	15 000 tr/min / 6 000 – 15 000 tr/min
Nombre d'oscillations	30 000 tr/min / 12 000 – 30 000 tr/min
Amplitude	2.0 mm (0.079 in.)
Patin de ponçage	80 x 150 mm (3.1 x 5.9 in.)
Poids	1.3 kg (2.9 lbs.)
Sécurité	☐ UL 745, CSA C22.2 No. 745

### Symbole

V	Volt
A	Ampère
Hz	Hertz
W	Watt
~	Tension alternative
$n_0$	Vitesse de rotation à vide

☐ Classe II conception  
tr/min tours par minute

### Utilisation conforme

Les ponceuses sont destinées au ponçage du bois, des matières synthétiques, des matériaux composites, de la peinture / du vernis, du mastic



et des matériaux similaires. Les métaux et du matériau comportant de l'amiante ne doivent pas être usinés.

En raison de sa taille, de son poids et de sa puissance, la machine est adaptée notamment au traitement de petites surfaces ainsi qu'aux travaux au-dessus de la tête.

Pour des raisons de sécurité électrique, les machines ne doivent pas être humides ni fonctionner dans un environnement humide. Il ne faut utiliser les machines que pour un ponçage sec.

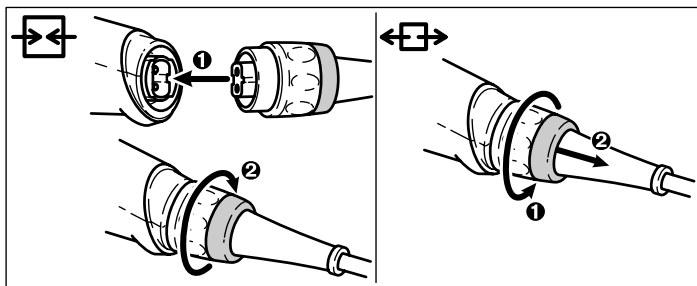
**AVERTISSEMENT** En cas d'une utilisation non conforme, la responsabilité des dommages et accidents incombe à l'utilisateur.

## Raccordement électrique et mise en service

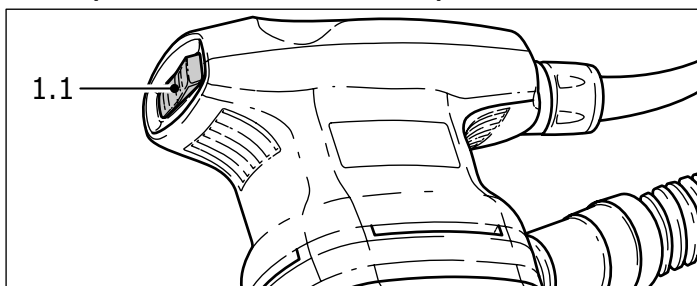
La tension du réseau doit correspondre à la tension indiquée sur la plaque signalétique!

Voir en figure suivante la connexion et la déconnexion du câble de raccordement au secteur.

**AVERTISSEMENT** Avant de brancher ou de débrancher le câble de raccordement secteur, il est absolument indispensable de toujours mettre la machine hors marche!



L'interrupteur (1.1) sert d'interrupteur Marche / Arrêt (I = Marche / 0 = Arrêt).



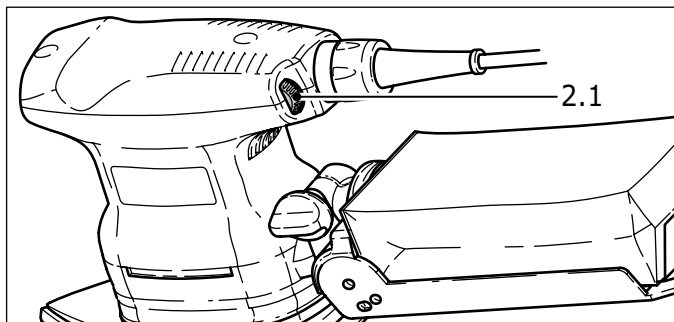
## Réglage électronique



La ponceuse DTS 400 EQ possède un réglage électronique permettant une variation progressive de la vitesse de rotation.

Ceci permet une adaptation optimale de la vitesse du ponçage aux différents matériaux (cf. "Travailler avec l'outil").

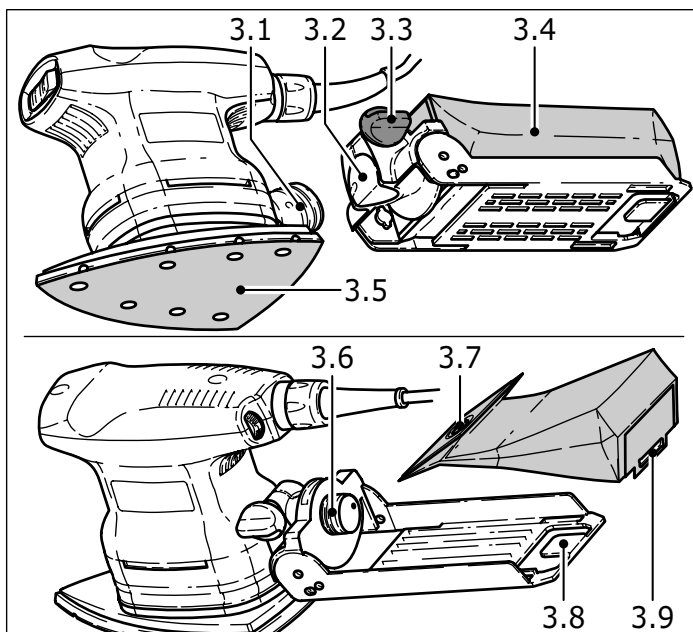
La vitesse de rotation est réglée par la molette (2.1).



## Aspiration de la poussière

L'aspiration de la poussière empêche des lourdes charges de l'air environnant par des poussières et des fortes salissures du lieu de travail.

## Dispositif d'auto-aspiration



Les machines sont équipées en série d'un dispositif d'auto-aspiration. La poussière de ponçage est aspirée à travers les orifices d'aspiration du patin de ponçage (3.5) puis collectée dans le filtre turbo (3.4). Lorsque le filtre turbo est rempli de poussières, la performance d'aspiration baisse et il faut le remplacer.

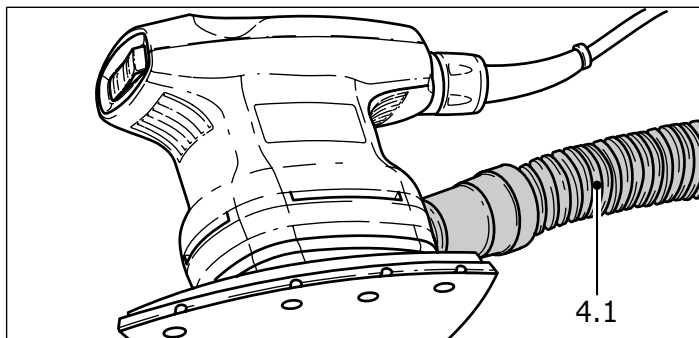
## Montage d'un filtre turbo

- Placer le porte-filtre avec l'orifice (3.2) jusqu'à l'arrêt sur le manchon d'aspiration (3.1) de la machine et serrer à l'aide du bouton tournant (3.3).
- Faire glisser la partie avant du filtre avec la lèvres d'étanchéité (3.7) sur le manchon d'aspiration (3.6) du porte-filtre.
- Placer la partie arrière du carton avec la fente (3.9) sur la nervure de maintien (3.8) du porte-filtre.

## Aspiration extérieure à l'aide d'un aspirateur

Afin d'éviter d'avoir à remplacer souvent le filtre turbo, on peut raccorder un aspirateur Festool à la

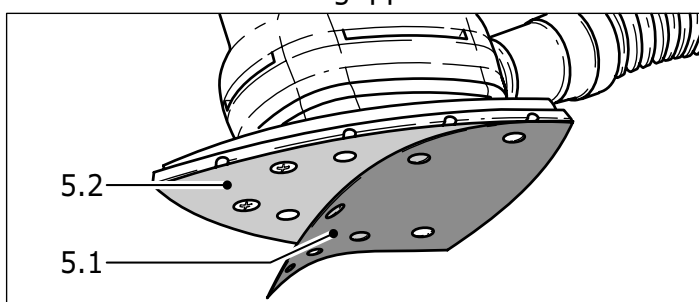
place du dispositif d'auto-aspiration. Pour ce faire, le flexible d'aspiration (Ø 27 mm (4.1)) de l'aspirateur est monté sur le manchon d'aspiration.



### Fixer l'abrasif



Stickfix est un système de fixation de type auto-agrippant. Sur les patins de ponçage Stickfix, vous pouvez fixer tous les types d'abrasif auto-agrippants.



Posez-le (5.1) simplement sur le patin (5.2) et retirez-le après utilisation.

**Attention :** Utilisez uniquement des patins Stickfix dont l'état de la surface auto-agrippante est impeccable. Avant l'utilisation, vérifiez si la surface n'a pas subi de dégradation suite à un échauffement.

**MISE EN GARDE** N'utilisez que des produits abrasifs originaux Festool!

### Travailler avec l'outil

**AVERTISSEMENT** Fixez la pièce à usiner de manière à ce qu'elle ne puisse pas bouger pendant le traitement.

**MISE EN GARDE** Ne surchargez pas la machine en appuyant trop fort! Vous obtiendrez le meilleur résultat de ponçage avec une pression d'application moyenne.

Le rendement et la qualité du ponçage dépendent essentiellement de la sélection de l'abrasif adéquat. Festool propose l'abrasif approprié à chaque cas d'utilisation (cf. le catalogue Festool).

Pour des machines électroniques nous pré-conisons les réglages ci-après de la molette (2.1):

#### 5 – 6

- Ponçage à entraînement max.
- Ponçage d'anciennes peintures
- Ponçage de bois et de contreplacage avant application du vernis

- Ponçage intermédiaire du vernis de surfaces

#### 4 – 5

- Ponçage d'un enduit appliqué en fine couche
- Ponçage de bois à l'aide du non-tissé de ponçage
- Réalisation de chants sur des pièces en bois
- Lissage de surfaces en bois à enduit

#### 3 – 4

- Ponçage de bordures en bois massif et contreplaquées
- Ponçage dans la rainure de fenêtres et de portes
- Ponçage intermédiaire du vernis de chants
- Ponçage de fenêtres en bois nature à l'aide du non-tissé de ponçage
- Lissage de la surface en bois avant le décapage à l'aide du non-tissé de ponçage
- Ponçage de surfaces décapées à l'aide du non-tissé de ponçage
- Ponçage ou enlèvement de la pâte de chaux superflue à l'aide du non-tissé de ponçage

#### 2 – 3

- Ponçage intermédiaire de vernis de surfaces décapées
- Nettoyage de rainures de fenêtres en bois à l'aide du non-tissé de ponçage

#### 1 – 2

- Ponçage de chants décapés
- Ponçage de matières synthétiques thermoplastiques

### Entretien et maintenance

**AVERTISSEMENT** Avant toute intervention sur la machine il faut retirer la fiche de la prise de courant !

**AVERTISSEMENT** Les travaux d'entretien et de réparation nécessitant une ouverture du carter moteur ne doivent être effectués que par le personnel d'un atelier autorisé du service après-vente.

Les orifices d'air de refroidissement du carter moteur doivent toujours être propres et libres afin d'assurer la circulation libre de l'air.

### Accessoires et outils

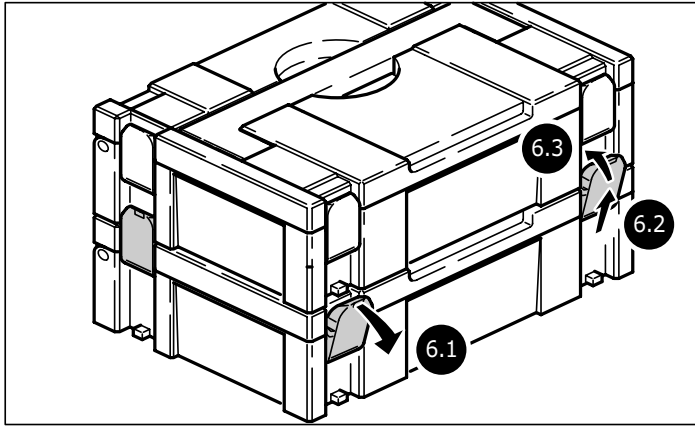
**AVERTISSEMENT** Pour des raisons de sécurité, il faut utiliser exclusivement des accessoires et outils d'origine Festool!

Vous trouverez les numéros de pièce des accessoires et outils dans le catalogue Festool, ou sur le site Web [www.festool-usa.com](http://www.festool-usa.com).

### Systainer

De nombreux produits Festool sont fournis dans une caisse exclusive, appelée "Systainer". Celle-ci

permet de protéger et de ranger des outils et des appareils complémentaires. Les Systainer sont empilables et peuvent être solidarisés. En outre, il se fixent sur les aspirateurs CT Festool.



- Poser deux Systainer l'un sur l'autre,
- défaire les quatre éléments de verrouillage du Systainer inférieur en les tirant en arrière par leur bord supérieur (6.1).
- pousser les quatre éléments de verrouillage vers le haut (6.2)
- manoeuvrer les quatre éléments de verrouillage (6.3) de sorte qu'ils s'enclenchent au niveau des éléments récepteurs du Systainer supérieur.

## Garantie

### Conditions de la garantie (1+2 ans)

Vous avez droit à une prolongation de garantie gratuite (1 an +2 ans =3 ans) sur votre outil électrique Festool. Festool assumera tous les coûts d'expédition pendant la première année de la garantie alors que les deuxième et troisième années, les coûts devront être assumés par le client. Festool paiera les frais de retour de l'outil au client par service de livraison terrestre UPS. La garantie est valable pour une période de 3 ans à compter de la date d'achat indiquée sur votre reçu ou votre facture.

### Garantie limitée de Festool

Cette garantie est valable à condition que l'outil soit utilisé conformément aux instructions de Festool. Festool garantit, à l'acheteur initial seulement, que l'outil indiqué sera exempt de tout défaut de matériau et de fabrication pendant un an à compter de la date d'achat. Festool ne donne aucune garantie supplémentaire, implicite

ou explicite, sur les instruments portables électriques Festool. Aucun agent, représentant commercial, distributeur, vendeur ou employé de Festool n'est autorisé à prolonger ou à modifier les obligations ou restrictions de la présente garantie. Les obligations de Festool sont, à son entière discrétion, limitées à la réparation ou à l'échange des outils portables électriques Festool trouvés défectueux dans le présent emballage, tels que fournis avec le présent Guide d'utilisation.

Cette garantie exclut l'usure normale, les dommages causés par un usage impropre, les abus ou la négligence, ou tout dommage autre que ceux attribuables à des défauts de matériau et de fabrication. Cette garantie ne s'applique pas aux accessoires tels que lames de scie circulaire, mèches de perceuse et vilebrequin, lames de scie sauteuse, bandes abrasives et meules. Sont également exclues les pièces d'usure, telles que balais de charbon, lamelles pour outils à air comprimé, joints et manchons de caoutchouc, disques et patins ponceurs, ainsi que les piles.

Les outils électriques portables Festool à remplacer ou à réparer doivent être retournés avec le reçu d'achat à Festool (appelez au 800-554-8741 pour connaître l'adresse d'expédition).

**FESTOOL N'EST EN AUCUN CAS RESPONSABLE DES DOMMAGES DIRECTS OU INDIRECTS, IMPLICITES OU EXPLICITES, DÉCOULANT DE LA RUPTURE DE CETTE GARANTIE OU DE TOUTE AUTRE GARANTIE. TOUTES LES GARANTIES IMPLICITES, Y COMPRIS LES GARANTIES IMPLICITES DE QUALITÉ MARCHANDE ET D'ADÉQUATION À UN USAGE PARTICULIER, SONT LIMITÉES À UNE PÉRIODE DE TROIS ANS.**

Certains états américains et certaines provinces canadiennes ne permettent pas la limitation des garanties implicites; il se pourrait donc que les limites indiquées ci-dessus ne s'appliquent pas dans votre cas. À l'exception de certaines garanties implicites des provinces ou des états indiqués ici, la présente garantie est exclusive et remplace toute autre garantie, convention et obligation similaire de Festool.

Cette garantie vous confère des droits légaux spécifiques, et vous pouvez aussi avoir d'autres droits pouvant varier d'un état à l'autre, ou d'une province à l'autre au Canada.

## Normas generales de seguridad

**⚠️ ADVERTENCIA** Lea y entienda todas las instrucciones. El incumplimiento con las instrucciones aquí referidas puede resultar en una descarga eléctrica, fuego y/o lesiones personales serias.

### CONSERVE ESTAS INSTRUCCIONES

#### 1) Seguridad del espacio de trabajo

**a) Mantenga limpio y bien iluminado su puesto de trabajo.** El desorden y una iluminación deficiente en las áreas de trabajo pueden provocar accidentes.

**b) No utilice la herramienta eléctrica en un entorno con peligro de explosión, en el que se encuentren combustibles líquidos, gases o material en polvo.** Las herramientas eléctricas producen chispas que pueden llegar a inflamar los materiales en polvo o vapores.

**c) Mantenga alejados a los niños y otras personas de su puesto de trabajo al emplear la herramienta eléctrica.** Una distracción le puede hacer perder el control sobre el aparato.

#### 2) Seguridad eléctrica

**a) El enchufe del aparato debe corresponder a la toma de corriente utilizada. No es admisible modificar el enchufe en forma alguna. No emplear adaptadores en aparatos dotados con una toma de tierra.** Los enchufes sin modificar adecuados a las respectivas tomas de corriente reducen el riesgo de una descarga eléctrica.

**b) Evite que su cuerpo toque partes conectadas a tierra como tuberías, radiadores, cocinas y refrigeradores.** El riesgo a quedar expuesto a una sacudida eléctrica es mayor si su cuerpo tiene contacto con tierra.

**c) No exponga las herramientas eléctricas a la lluvia y evite que penetren líquidos en su interior.** Existe el peligro de recibir una descarga eléctrica si penetran ciertos líquidos en la herramienta eléctrica.

**d) No utilice el cable de red para transportar o colgar el aparato, ni tire de él para sacar el enchufe de la toma de corriente. Mantenga el cable de red alejado del calor, aceite, esquinas cortantes o piezas móviles.** Los cables de red dañados o enredados pueden provocar una descarga eléctrica.

**e) Al trabajar con la herramienta eléctrica en la intemperie utilice solamente cables de prolongación homologados para su uso en exteriores.** La utilización de un cable de prolongación adecuado para su uso en exteriores reduce el riesgo de una descarga eléctrica.

**f) Sujete la máquina únicamente por las empuñaduras aisladas si durante los trabajos las herramientas para separar pueden entrar en contacto con conducciones eléctricas ocultas o incluso con el cable de la corriente.** Cuando las herramientas para separar entran en contacto con conducciones eléctricas bajo tensión, las partes metálicas de la máquina pueden adquirir esta tensión y transmitir, de ese modo, una descarga eléctrica al usuario.

#### 3) Seguridad personal

**a) Esté atento a lo que hace y emplee la herramienta eléctrica con prudencia. No utilice la herramienta eléctrica si estuviese cansado, ni tampoco después de haber consumido alcohol, drogas o medicamentos.** El no estar atento durante el uso de una herramienta eléctrica puede provocarle serias lesiones.

**b) Utilice un equipo de protección y en todo caso unas gafas de protección.** El riesgo a lesionarse se reduce considerablemente si, dependiendo del tipo y la aplicación de la herramienta eléctrica empleada, se utiliza un equipo de protección adecuado como una mascarilla antipolvo, zapatos de seguridad con suela antideslizante, casco, o protectores auditivos.

**c) Evite una puesta en marcha fortuita del aparato. Cerciorarse de que el aparato esté desconectado antes conectarlo a la toma de corriente.** Si transporta el aparato sujetándolo por el interruptor de conexión/desconexión, o si introduce el enchufe en la toma de corriente con el aparato conectado, ello puede dar lugar a un accidente.

**d) Retire las herramientas de ajuste o llaves fijas antes de conectar la herramienta eléctrica.** Una herramienta o llave colocada en una pieza rotante puede producir lesiones al ponerse a funcionar.

**e) Sea precavido. Trabaje sobre una base firme y mantenga el equilibrio en todo momento.** Ello le permitirá controlar mejor la herramienta eléctrica en caso de presentarse una situación inesperada.

**f) Lleve puesta una vestimenta de trabajo adecuada. No utilice vestimenta amplia ni joyas. Mantenga su pelo, vestimenta y guantes alejados de las piezas móviles.** La vestimenta suelta, las joyas y el pelo largo se pueden enganchar con las piezas en movimiento.

**g) Siempre que sea posible utilizar unos equipos de aspiración o captación de polvo, asegúrese que éstos estén montados y que sean utilizados correctamente.** El empleo de estos equipos reduce los riesgos derivados del polvo.

#### 4) Uso y cuidado de la herramienta

##### a) No sobrecargue el aparato. Use la herramienta prevista para el trabajo a realizar.

Con la herramienta adecuada podrá trabajar mejor y más seguro dentro del margen de potencia indicado.

**b) No utilice herramientas con un interruptor defectuoso.** Las herramientas que no se puedan conectar o desconectar son peligrosas y deben hacerse reparar.

**c) Saque el enchufe de la red antes de realizar un ajuste en el aparato, cambiar de accesorio o al guardar el aparato.** Esta medida preventiva reduce el riesgo a conectar accidentalmente el aparato.

**d) Guarde las herramientas fuera del alcance de los niños y de las personas que no estén familiarizadas con su uso.** Las herramientas utilizadas por personas inexpertas son peligrosas.

**e) Cuide sus aparatos con esmero. Controle si funcionan correctamente, sin atascarse, las partes móviles del aparato, y si existen partes rotas o deterioradas que pudieran afectar al funcionamiento de la herramienta. Si la herramienta eléctrica estuviese defectuosa haga repararla antes de volver a utilizarla.** Muchos de los accidentes se deben a aparatos con un mantenimiento deficiente.

**f) Mantenga los útiles limpios y afilados.** Los útiles mantenidos correctamente se dejan guiar y controlar mejor.

**g) Utilice herramientas eléctricas, accesorios, útiles, etc. de acuerdo a estas instrucciones y en la manera indicada específicamente para este aparato. Considere en ello las condiciones de trabajo y la tarea a**

**realizar.** El uso de herramientas eléctricas para trabajos diferentes de aquellos para los que han sido concebidas puede resultar peligroso.

#### 5) Mantenimiento

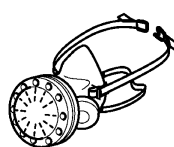
**a) Únicamente haga reparar su herramienta eléctrica por un profesional, empleando exclusivamente piezas de repuesto originales.** Solamente así se mantiene la seguridad de la herramienta eléctrica.

**⚠ADVERTENCIA PARA REDUCIR EL RIESGO DE LESIÓN, EL USUARIO DEBE LEER Y ENTENDER EL MANUAL DE INSTRUCCIÓN.**

**⚠ADVERTENCIA** Algunos polvos creados por lijadoras motorizadas, aserraderos, trituradores, perforadoras y otras actividades de construcción contienen sustancias químicas que se sabe (en el Estado de California) causan cáncer, defectos de nacimiento u otros daños al sistema reproductivo. Algunos ejemplos de estas sustancias químicas son:

- Plomo de las pinturas con base de plomo
- Sílice cristalino de los ladrillos y cemento y otros productos de mampostería, y
- Arsénico y cromo de madera tratada con sustancias químicas

El riesgo de exposición a estas sustancias varía, dependiendo de cuantas veces se hace este tipo de trabajo.



Para reducir el contacto con estas sustancias químicas: trabaje en un área con buena ventilación y trabaje con equipo de seguridad aprobado, como mascarillas para el polvo diseñadas específicamente para filtrar partículas microscópicas.

#### Datos técnicos

#### DTS 400 Q / DTS 400 EQ

Potencia absorbida	230 W
Velocidad sin carga	15 000 rpm / 6 000 - 15 000 rpm
Orbitas por minuto	30 000 opm / 12 000 - 30 000 opm
Orbita de lijado	2.0 mm ( 0.079 in.)
Plato de lijado	80 x 150 mm (3.1 x 5.9 in.)
Peso	1.3 kg (2.9 lbs.)
Seguridad	▣ / II

#### Símbolos

V	voltios
A	amperios
Hz	hertzios
W	vatios

~	rensi3n alterna
n <sub>0</sub>	revoluciones por minuto en vacío
▣	Clase II Construcci3n
rpm	revoluciones por minuto
opm	orbitas por minuto

## Uso conforme a lo determinado

En cuanto a su determinación de uso, las lijadoras están previstas para el lijado de madera, plástico, materiales compuestos, pintura/barniz / nogalina, masilla de emplaste y materiales similares. Con este útil no se deben trabajar metales ni materiales que contengan amianto.

Debido a su tamaño, su peso y su potencia, la máquina es especialmente apropiada para el trabajo de superficies pequeñas, así como para realizar trabajos por encima de la cabeza.

A causa de la seguridad eléctrica, las máquinas no deben ser operadas estando húmedas y tampoco en un ambiente húmedo. Las máquinas solamente se deben emplear para un lijado en seco.

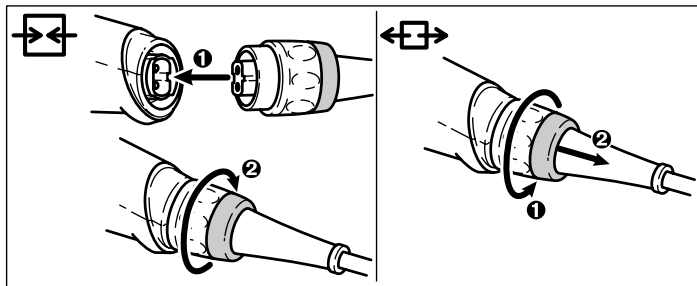
**ADVERTENCIA** El usuario se responsabilizará en el caso de daños y accidentes durante un uso no conforme a lo predeterminado.

## Conexión eléctrica y puesta en servicio

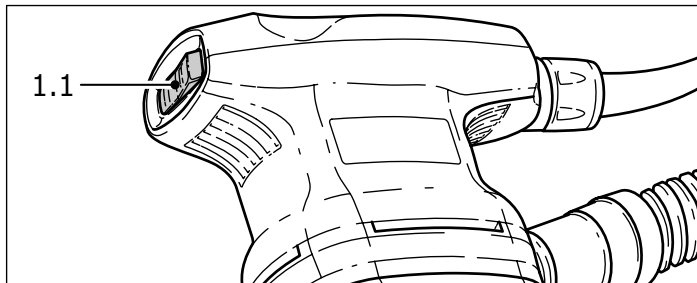
¡La tensión de red tiene que coincidir con la tensión indicada en la placa de características!

Ver la figura siguiente para enchufar y desenchufar el cable de conexión a la red.

**ADVERTENCIA** Apague siempre la máquina antes de conectar o sacar el cable de conexión a la red.



El interruptor (1.1) se utiliza como interruptor de conexión / desconexión (I = conectado / 0 = desconectado).

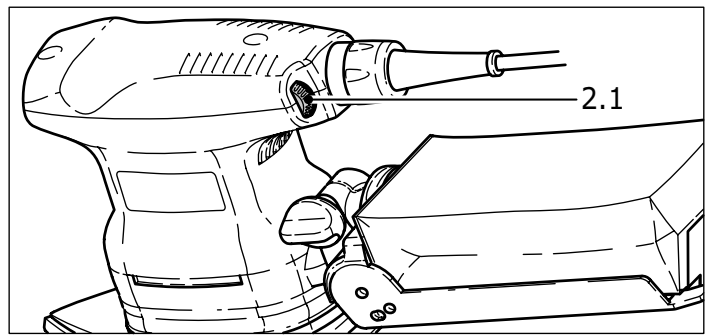


## Regulación electrónica



La lijadora DTS 400 EQ dispone de una posibilidad de regulación electrónica, con la que se puede variar el número de revoluciones en progresión continua.

De este modo es posible adaptar óptimamente la velocidad de lijado al respectivo material (véase "Trabajo con la lijadora").

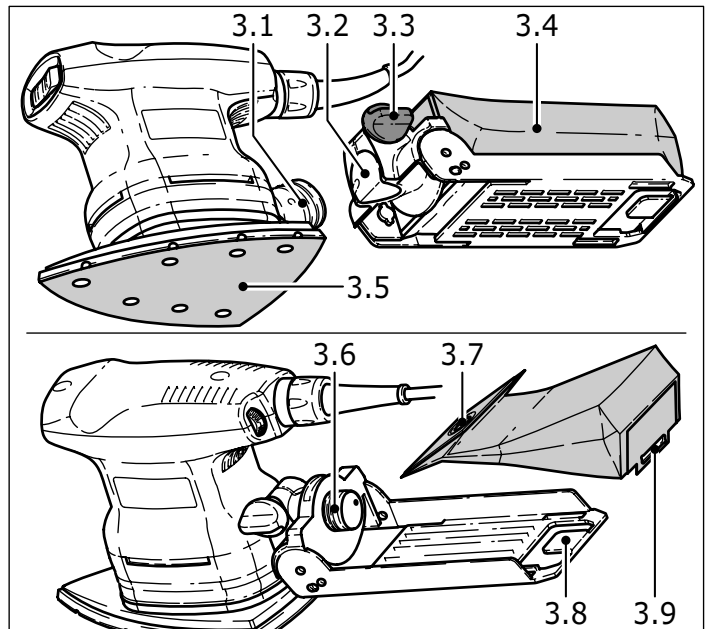


El número de revoluciones se ajusta en la rueda de ajuste (2.1).

## Dispositivo de aspiración de polvo

El dispositivo de aspiración de polvo evita altas cargas de polvo en el aire de trabajo y ensuciamientos considerables en el puesto de trabajo.

## Dispositivo autoaspirador



Las máquinas están equipadas como equipo de serie con un dispositivo autoaspirador. El polvo de lijado es aspirado por las aberturas de aspiración que se encuentran en el plato de lijado (3.5) y es recogido en el turbofiltro (3.4).

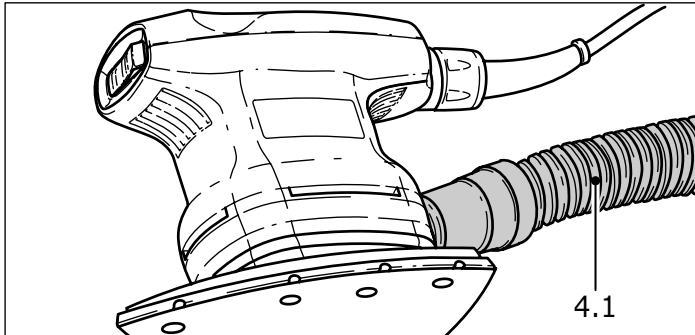
Cuando el turbofiltro se ha llenado hasta el punto de que se nota una merma de la capacidad de aspiración, se deberá proceder a su cambio.

## Montaje de un turbofiltro

- Meter el soporte del filtro con la abertura (3.2) hasta el tope sobre la tubuladura de aspiración (3.1) de la máquina y fijarlo con el botón giratorio (3.3).
- Desplazar la parte delantera de cartón del turbofiltro con labio de hermetización (3.7) sobre la tubuladura de aspiración (3.6) del soporte del filtro.
- Meter la parte trasera de cartón con ranura (3.9) sobre la aleta de retención (3.8) del soporte del filtro.

## Dispositivo de aspiración externa, con aspirador

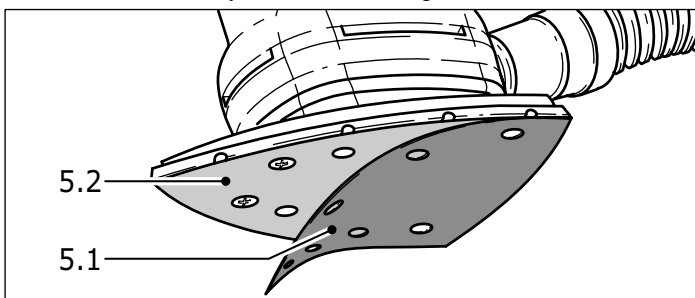
A fin de evitar un frecuente cambio del turbofiltro durante trabajos de lijado relativamente largos, en lugar del dispositivo autoaspirador se puede conectar un aspirador Festool. Para ello se cala el tubo flexible de aspiración (Ø 27 mm (4.1)) del aspirador sobre la tubuladura de aspiración.



### Fijación del material abrasivo



Stickfix es un sistema de sujeción de gancho y lazo. Los platos de sujeción Stickfix se pueden utilizar para fijar lijas autoadherentes de gancho y lazo como las hojas de lijar Stickfix y el vellón de lijado.



Simplemente oprima la lija (5.1) sobre el plato de lijado (5.2) y levántelo después de su uso.

**Atención:** Sólo utilice lijas que tengan el recubrimiento Stickfix intacto. Inspecciónelos antes de usarse para asegurarse que el recubrimiento autoadhesivo no ha sufrido algún daño por su uso incorrecto (por ejemplo, por sobrecalentamiento).

**PRECAUCIÓN** ¡Emplee únicamente material abrasivo original de Festool!

### Trabajo con la lijadora

**ADVERTENCIA** Fije la pieza de trabajo siempre de forma que no se pueda mover cuando se esté lijando.

**PRECAUCIÓN** No sobrecargue la máquina presionándola demasiado sobre el objeto a lijar. Un resultado óptimo de lijado lo conseguirá trabajando con una presión de apriete moderada.

La capacidad y calidad de lijado dependen esencialmente de la elección del material abrasivo correcto. Festool ofrece material adhesivo apro-

piado para todo caso de aplicación (ver el catálogo Festool).

Para máquinas con sistema electrónico recomendamos realizar los siguientes ajustes de la rueda de ajuste (2.1):

#### 5 - 6

- Lijado con accionamiento máximo
- Lijado de pinturas viejas
- Lijado de madera y de enchapados antes del barnizado
- Lijado intermedio de barniz sobre superficies

#### 4 - 5

- Lijado de barnizado previo de aplicación fina
- Lijado de madera con velo de lijar
- Redondeado de cantos en piezas de madera
- Alisado de superficies de madera con pintura de imprimación

#### 3 - 4

- Lijado de cantos de madera maciza y de madera enchapada
- Lijado de encajes de ventanas y puertas
- Lijado intermedio de barniz en cantos
- Lijado inicial de ventanas de madera natural con velo de lijado
- Alisado de la superficie de madera antes del barnizado, empleando velo de lijado
- Frotado de superficies barnizadas empleando velo de lijado
- Abrasión o desprendimiento de pasta de cal sobrante empleando el velo de lijado

#### 2 - 3

- Lijado intermedio de pinturas sobre superficies barnizadas (coloreadas con nogalina)
- Limpieza de encajes de ventanas de madera natural con velo de lijado

#### 1 - 2

- Lijado de cantos pintados/coloreados con nogalina
- Esmerilado de termoplásticos.

### Mantenimiento y conservación

**ADVERTENCIA** ¡Desenchufar el enchufe de la toma de corriente antes de realizar trabajos en la máquina!

**ADVERTENCIA** Todos los trabajos de mantenimiento y de reparación, para los que se tiene que abrir la carcasa del motor, sólo deben ser llevados a cabo por un taller de servicio de asistencia técnica autorizado.

Para asegurar la circulación de aire, las aberturas para el aire de refrigeración en la carcasa del motor tienen que mantenerse siempre libres y limpias.

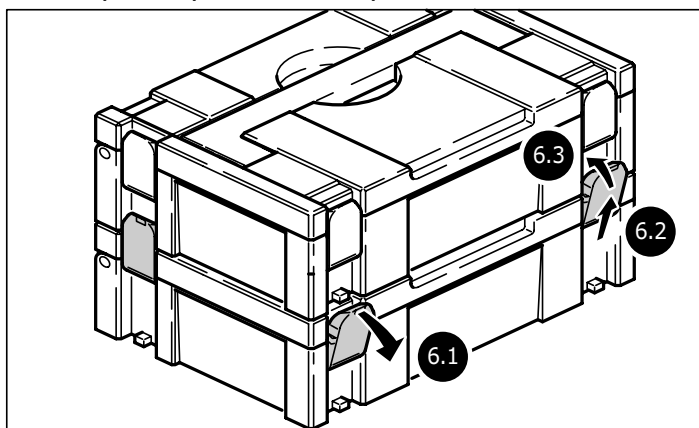
## Accesorios, herramientas

**ADVERTENCIA** ¡Por razones de seguridad, solamente deben emplearse accesorios y herramientas originales de Festool!

Los números de pedido para los respectivos accesorios y herramientas se encuentran en su catálogo Festool o en la Internet, [www.festool-usa.com](http://www.festool-usa.com).

### Systainer

Muchos de los productos Festool se entregan en un embalaje exclusivo denominado "Systainer" que sirve de protección a la herramienta y sus complementos, además de facilitar su almacenamiento. Los Systainer pueden apilarse y encajan unos con otros. Además se adaptan sin problema a cualquier aparato de aspiración CT de Festool.



- Coloque un Systainer sobre otro.
- Abra los cuatro enganches del Systainer de abajo tirando de sus extremos superiores (6.1).
- Deslice los cuatro enganches hacia arriba (6.2).
- Presione los cuatro enganches hasta que queden planos (6.3) y puedan así acoplarse en los soportes del Systainer colocado encima.

## Garantía

### Condiciones de la Garantía 1 + 2

Usted tiene derecho a una garantía extendida gratuita (1 año + 2 años = 3 años) para su herramienta mecánica Festool. Festool se hará responsable por los gastos de envío durante el primer año de garantía. Durante el segundo y tercer año de garantía el cliente es responsable por el costo del envío de la herramienta a Festool. Festool pagará el embarque de regreso al cliente usando UPS Ground Service. Todo el servicio de garantía es válido por 3 años desde la fecha de la compra de acuerdo a la fecha de su recibo o factura de compra.

### Garantía limitada de Festool

Esta garantía es válida con la condición previa de que la herramienta se usa y opera de conformidad con las instrucciones de operación de Festool. Festool

garantiza, sólo al comprador original, que la herramienta especificada estará libre de defectos de fabricación y materiales durante un periodo de un año a partir de la fecha de compra. Festool no otorga otras garantías, ni explícitas ni implícitas para ninguna de las herramientas mecánicas portátiles Festool. Ningún agente, representante, distribuidor, comerciante o empleado de Festool está autorizado para extender o modificar de cualquier manera las obligaciones o limitaciones de esta garantía. Las obligaciones de Festool, a su propia entera discreción, están limitadas a la reparación o sustitución de cualquier herramienta portátil Festool que se encuentre estar defectuosa en el momento de ser embalada junto con el manual de usuario.

Quedan excluidos de la cobertura en esta garantía: el desgaste normal; los daños causados por uso indebido, el abuso o negligencia; los daños causados por cualquier otra causa que no sean defectos del material o de la fabricación. Esta garantía no aplica a accesorios como cuchillas de sierras circulares, brocas de taladro, barrenas de buriladora, cuchillas de sierra, cuchillas para sierras de calado, correas de lijadoras y ruedas de esmeril. También se excluyen las "partes que se desgastan" como cepillos de carbón, laminillas de herramientas de aire, collarines de hule y sellos, discos y cojines de lijado, y baterías.

Las herramientas mecánicas portátiles Festool que requieran de reemplazo o reparación deben devolverse con el recibo de compra a Festool (llame al 800-554-8741 para los detalles de la dirección).

**EN NINGÚN CASO FESTOOL SE HARÁ RESPONSABLE POR LOS DAÑOS SECUNDARIOS O CONSECUENTES OCASIONADOS POR LA VIOLACIÓN DE ESTA O CUALQUIER OTRA GARANTÍA, SEA EXPLÍCITA O IMPLÍCITA. TODAS LAS GARANTÍAS IMPLICADAS POR LEYES ESTATALES, INCLUYENDO LAS GARANTÍAS IMPLICADAS DE COMERCIALIZACIÓN Y ADECUACIÓN A UN PROPÓSITO PARTICULAR, QUEDAN LIMITADAS A TRES AÑOS DE DURACIÓN.**

Algunos estados de EE.UU. y algunas provincias de Canadá no permiten las limitaciones en cuanto a la duración de las garantías implícitas, de modo que la limitación arriba indicada puede que no le afecte. A excepción de algunas garantías implicadas por leyes estatales o provinciales, limitadas por la presente, la anteriormente citada garantía, expresamente limitada, es exclusiva y sustituye a cualquier otra garantía, acuerdo u obligación similar de Festool.

Esta garantía le concede derechos legales específicos y usted podría tener otros derechos legales que varían de estado a estado en EE.UU. y de provincia a provincia en Canadá.